

EZ FORM CABLE PRODUCT LINES

CABLE ASSEMBLIES

- Stock or custom
- Semi-rigid or flexible



DELAY LINES

- Standard and custom
- Aluminum cable option for 40% weight savings



MIL-C-17 SEMI-RIGID

- Copper or aluminum
- .034" to .325" dia.
- QPL, custom styles and impedances



EZ FLEX 401, 402, 405

- Flexible microwave cable that performs like semi-rigid
- 50Ω, 75Ω, and other impedances



LA SERIES LOW-LOSS SEMI-RIGID

- Lower attenuation, lighter weight than solid-dielectric cable
- Copper or aluminum

Introducing a new concept in SMA connectors: **Versatility.**

The *EZ QuickSnap* system turns standard SMA connectors into snap-on, positive locking, space-saving little wonders.

Unlike other high frequency push-on connectors, with the *EZ QuickSnap* system you don't have to retrofit existing components.

Just thread the adapter onto any standard SMA jack, and it's ready to use with the *EZ QuickSnap* plug.

Now you have connector pairs that mate with a straight push (handy for those applications where there's no space for fingers or wrenches), and unmate with a straight pull.

If you need the security of positive locking, simply slide the plug's locking sleeve forward, and the connectors can't be accidentally unmated.

And all with **no** performance penalty—*EZ QuickSnap* connectors match or exceed all electrical characteristics of standard SMA connectors.

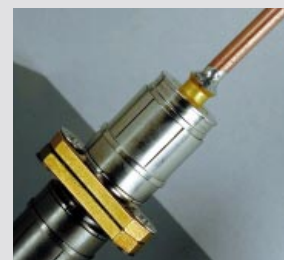
Call for more information, and see how the versatility of *EZ QuickSnap* plugs and cable assemblies can liberate your system design.



Just screw the adapter onto any SMA jack—no torque wrench needed.

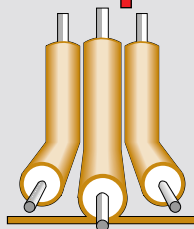


Leave plug collar retracted for convenient snap-on mating (ideal for component testing—repeated mating will not damage SMA jacks).



Slide the plug's locking collar forward to prevent accidental unmating.

EZ Form Cable Corporation



(203) 785-8215

FAX (203) 785-0466

email: sales@ezform.com



*The EZ QuickSnap System...
U.S. Patent Pending*

The EZ QuickSnap Connector System



Patented

- Snap-on convenience
- Superior performance
- Use with any SMA jack
- Ideal for test fixtures



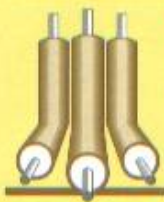
Thread adapter
onto any
SMA jack



Retract plug collar
for snap-on mating



Slide plug collar
forward for
positive locking



**EZ Form
Cable
Corporation**

SPECIFICATION

E FORM
Z CABLE
CORPORATION

285 WELTON STREET . HAMDEN, CT . (203) 785-8215

DATE	REV.	TITLE
6/5/00	-	EZ QuickSnap Plug

1.0 SCOPE

This specification defines the design of the EZ QuickSnap coaxial push-on plug connector.

2.0 MECHANICAL

Materials: Center Contact, Beryllium copper per ASTM-B-196, gold plated per MIL-G-45204
Insulator, PTFE Teflon per ASTM-D-1710
Body, Stainless Steel per ASTM-A-582 Type 303, gold plated per MIL-G-45204
Gasket, Silicone Rubber ZZ-R-765
Locking and Snap Rings, Beryllium copper per ASTM-B-196, nickel plated per QQ-N-290

Interface: SMA Plug per MIL-PRF-39012

Force to Engage and Disengage: Locking Ring retracted, 10 pounds longitudinal maximum
Locking Ring engaged, 30 pounds longitudinal minimum
Mating Torque not applicable

Connector Durability: 500 mating cycles minimum

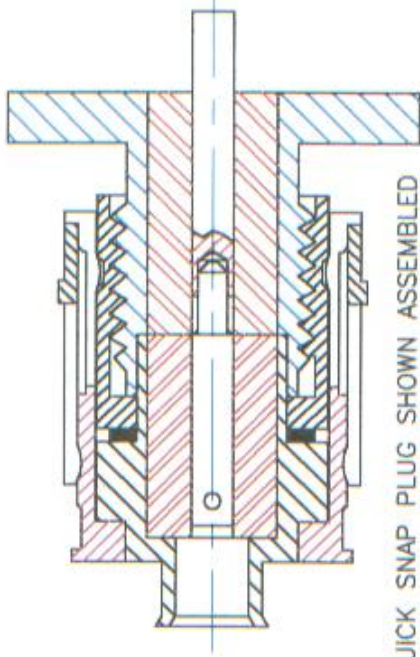
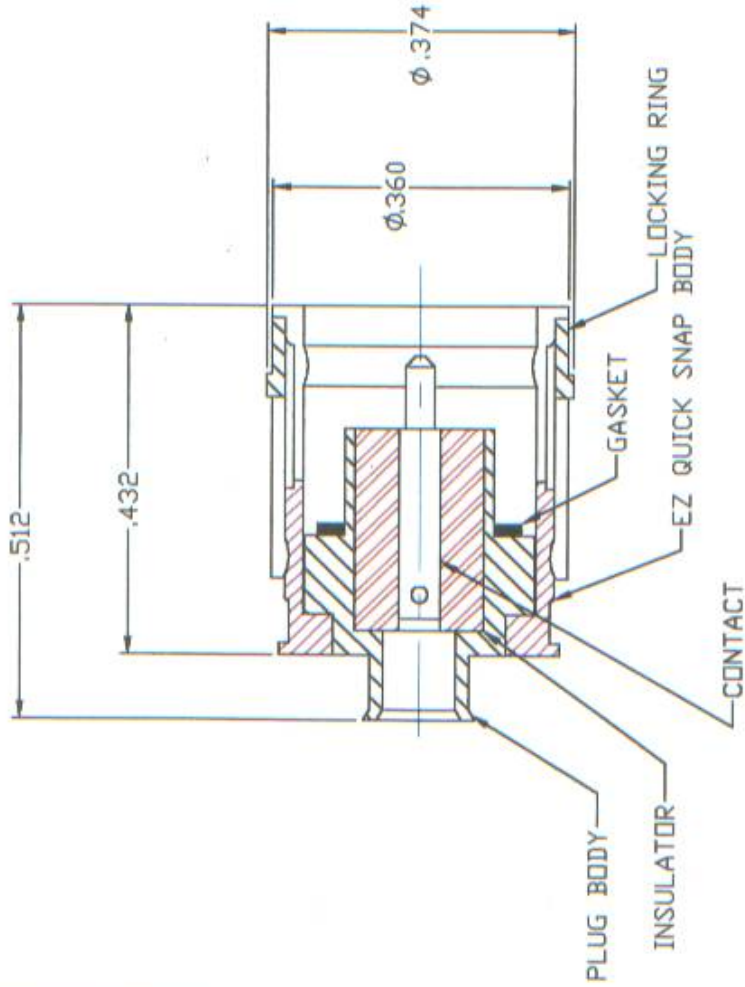
3.0 ELECTRICAL

Characteristic Impedance: 50 ohms nominal
Frequency Range: 0 to 20 GHz
Insulation Resistance: 5000 megohms minimum
Dielectric Withstanding Voltage: 1000 VRMS
Voltage Rating: 335 VRMS
Maximum VSWR: $1.07 + 0.01 * F(\text{GHz})$
Maximum Insertion Loss: $0.05 * \sqrt{F(\text{GHz})}$ dB

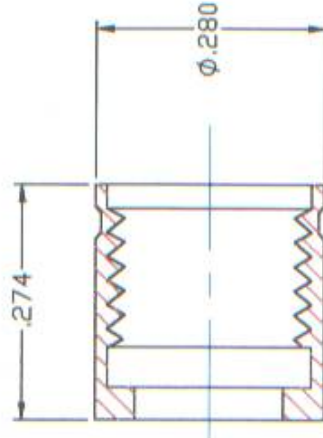
PREPARED AND APPROVED BY :

PAGE 1 OF 1

COMPANY CONFIDENTIAL
PATENT PENDING



EZ QUICK SNAP PLUG SHOWN ASSEMBLED TO A STD. SMA JACK UTILIZING, ADAPTOR HOUSING



ADAPTOR HOUSING
USED TO ADAPT STD SMA JACKS
TO EZ QUICK SNAP PLUG

APPRO	
BY	
DATE	
DESCRIPTION	
REV.	

THIS DRAWING THE DESIGN AND DEFS EMBODIED IN THE DEVICE TO WHICH IT RELATES AND THE METHOD OF MAKING THE DEVICE SHALL NOT BE EMPLOYED OR REPRODUCED OR DISCLOSED TO ANYONE IN ANY MANNER WITHOUT THE CONSENT OF AN EZ FORM COMPANY OFFICAL

UNLESS OTHERWISE SPECIFIED:

DIMENSIONS ARE IN INCHES:
TOLERANCES:

DECIMALS: ± .010
FRACTIONS: ± 1/64
3-PLACE: ± .005
ANGLES: ± 3°

FINISH:

DATE	2-29-00	DATE	2-29-00
APPROVED	J.A.B.	DATE	2-29-00
T.A.R.	7-28-00	REV.	OF

SOLE

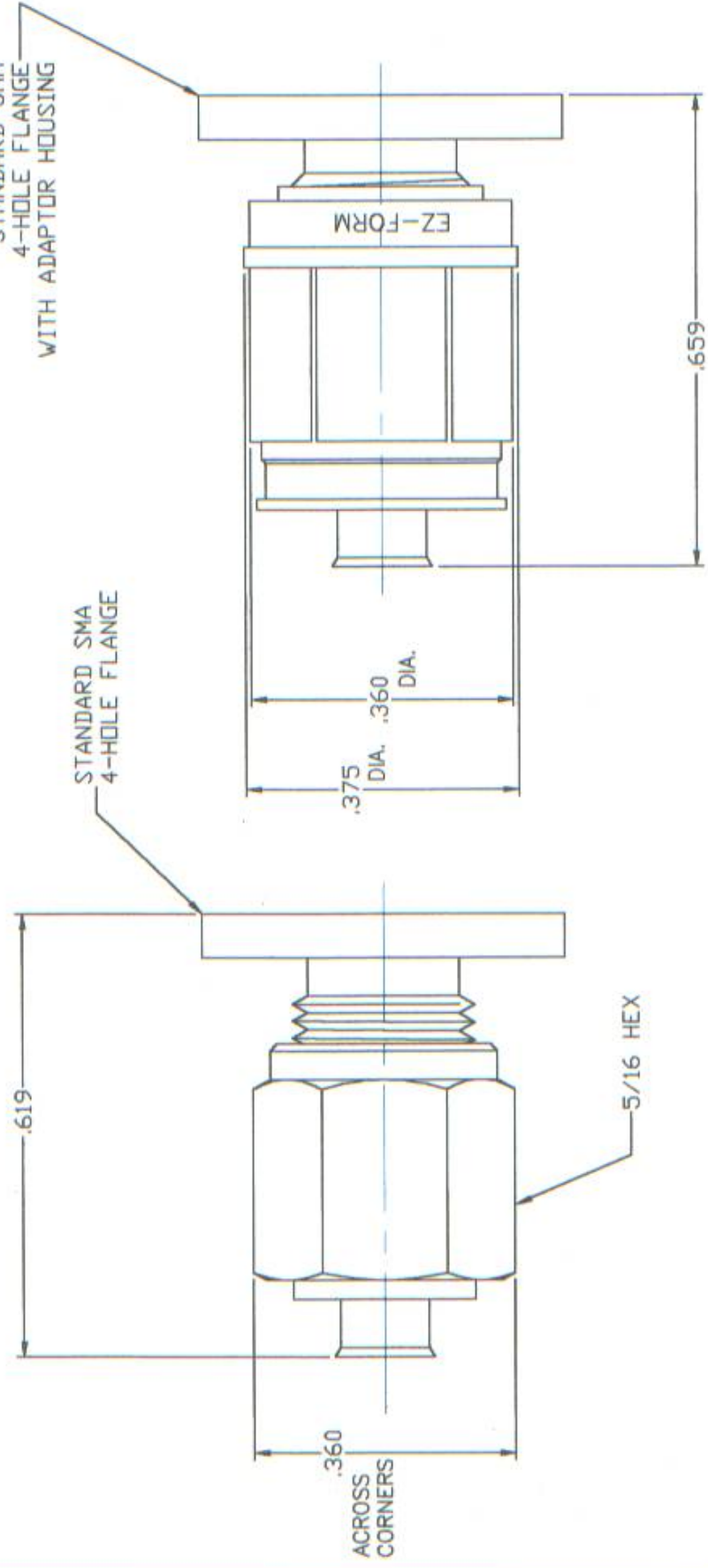
EZ FORM
CABLE CORPORATION
HAMDEN, CT 06517

TITLE
EZ QUICK SNAP PLUG
FOR .086 DIA.
SEMI RIGID CABLE

CD-709522-101
A 9W826

STANDARD SMA
4-HOLE FLANGE
WITH ADAPTOR HOUSING

STANDARD SMA
4-HOLE FLANGE



EZ-FORM

.375
DIA. .360
DIA.

.659

.619

.360
ACROSS
CORNERS

5/16 HEX

COMPANY CONFIDENTIAL
PATENT PENDING

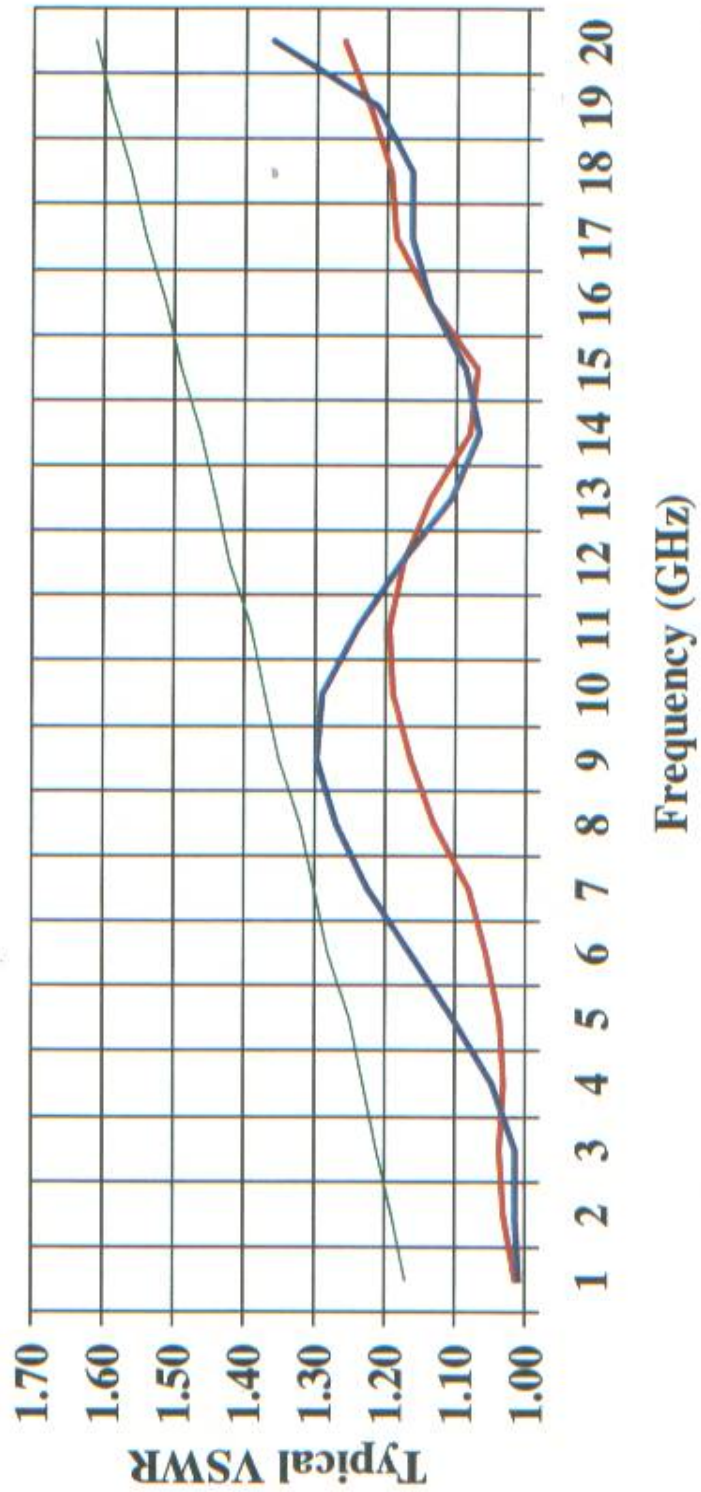
APPROVED			
BY			
DATE			
DESCRIPTION			

UNLESS OTHERWISE SPECIFIED:			
DIMENSIONS ARE IN INCHES:			
TOLERANCES:			
DECIMALS:	FRACTIONS :	1/64	
2-PLACE :	3-PLACE :	.010	.005
ANGLES : 3°			
MATERIAL:			
FORM:			
DRAWN	DATE	CHECKED	DATE
P.J.P.	3-12-00		
APPROVED	DATE	SHEET	OF
F P	3-17-00		

EZ FORM CABLE CORPORATION HAMDEN, CT 06517	
TITLE EZ QUICK SNAP COMPARISON	
CODE SYMBOL A	9W826

THIS DRAWING DESIGN AND REQS PROVIDED IN WHOLE OR IN PART SHALL NOT BE REPRODUCED OR TRANSMITTED IN ANY FORM OR BY ANY MEANS WITHOUT THE CONSENT OF AN EZ FORM COMPANY.

MATED PAIR COMPARISON EZ QUICK-SNAP vs. SMA



— SMA — EZ QUICK-SNAP — MIL-PRF-39012