

EZ Form Cable Company
www.ezform.com

RF / MICROWAVE CONNECTORS

January 2008

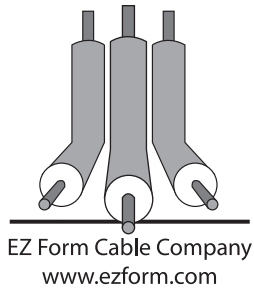


TABLE OF CONTENTS

MMCX SERIES	PAGE 3
MCX SERIES	PAGE 10
SMA SERIES	PAGE 18
SMA SERIES - Stainless Steel Versions	PAGE 29
SMB SERIES	PAGE 32
BNC SERIES	PAGE 40
TNC SERIES	PAGE 49
N SERIES	PAGE 54
PART NUMBER INDEX	PAGE 63

MMCX Series



Description

The MMCX family of products is a 6GHz 50ohm interconnect system.

Applications

- PCMCIA Cards
- Wireless Application
- Antennas
- Wireless LANs
- Broadband Communications
- Instrumentation *RF Test Ports
- Cellular Telephones
- Global Positioning Systems (GPS)
- Base Stations
- Radio Boards
- Satellite Reception Terminals

Features

- Mating cycles > 500
- Conforms to CECC 22000 specifications

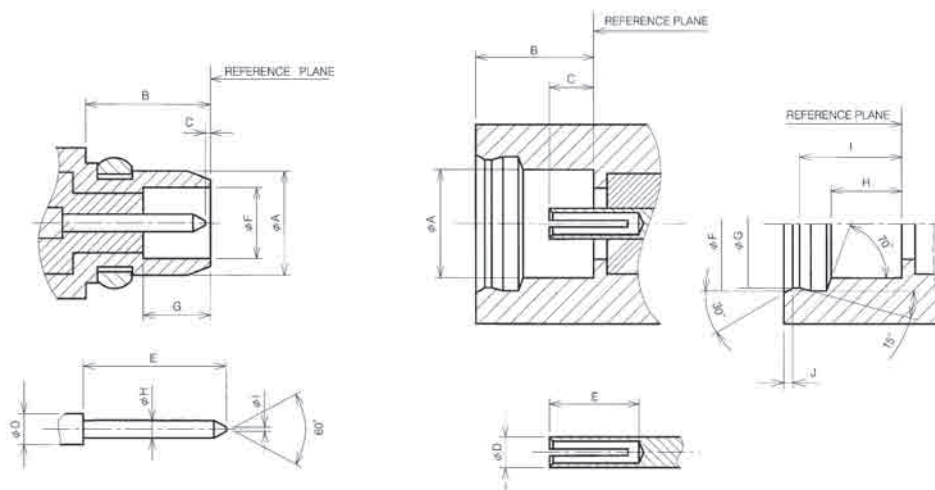
MMCX Series

MMCX: Specification

MMCX micro-miniature connectors are designed with a 50 ohm characteristic impedance. The working frequency is up to 6 GHz. The reliable snap-on mating design offers “low RF-leakage”. Also, the small dimensions allow you to use the connectors where space requirements are critical.

The major application for MMCX series connectors are PCMCIA cards & other small hand-held communication devices.

Interface Mating Dimensions:



PLUG

Letter	Millimeters	
	Minimum	Maximum
A	-	2.40(.094)
B	2.70(.106)	-
C	0.00(.000)	0.25(.010)
D	0.70(.028)nom	
E	-	3.15(.124)
F	1.58(.062)	1.62(.064)
G	1.45(.057)	-
H	0.38(.015)	0.42(.017)
I	-	0.20(.008)

JACK

Letter	Millimeters	
	Minimum	Maximum
A	2.41(.095)	-
B	2.60(.102)	-
C	0.90(.035)	1.20(.047)
D	0.70(.028)nom	
E	1.40(.055)	-
F	3.00(.118)	3.04(.120)
G	2.88(.113)	2.90(.114)
H	1.57(.062)	1.63(.064)
I	2.30(.091)	2.34(.092)
J	-	0.23(.009)

MMCX Series

Electrical:

Impedance	50 ohm
Frequency Range	0 to 6 GHZ
Working Voltage	170 Vrms max.
Insulator resistance	500 Megohms min.
Dielectric withstanding Voltage	Voltage 500 volts rms min.
Contact resistance	Center contact: 10.0 milliohms max. Outer contact: 5.0 milliohms max.
VSWR	Straight connector: 1.25 max R/A connector: 1.35 max.

Mechanical & Environmental

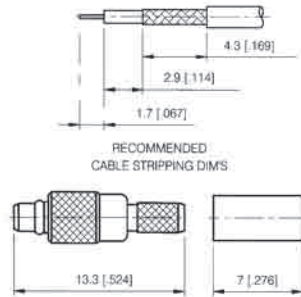
Mechanical Data	Detail
Engagement force	3.4 lbs max
Disengagement force	1.4 lbs - 3.4 lbs
Connector durability	500 matings
Cable retention force	RG178: 7.3 lbs min RG316: 12.1 lbs min
Corrosion (Salt spray)	MIL-STD-202F, Method 101D, Condition A
Thermal shock	MIL-STD-202F, Method 1017G, Condition A
Vibration	MIL-STD-202F, Method 204D, Condition A
Mechanical Shock	MIL-STD-202F, Method 213B, Condition A

Material:

	Material	Plating
Bodies	Brass	Gold or Nickel
Center Contact	Male: Brass Gold Female: Beryllium-copper	Gold Gold
Insulation	Teflon	-
Crimp Ferrule	Annealed Copper	Same as Body

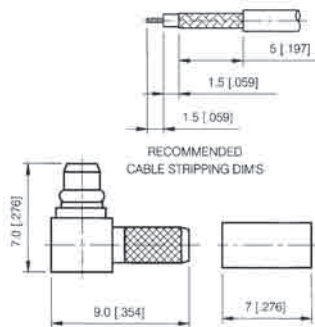
MMCX Series

CRIMP ATTACHMENTS FOR FLEXIBLE CABLE



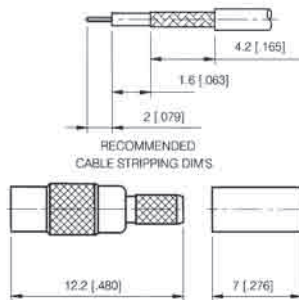
STRAIGHT CRIMP PLUG

PART NUMBER	CABLE
704000-316MMCX	RG-316, RG-188
704000-316RDMMCX	RG-316 (DOUBLE SHIELDED)
704000-178MMCX	RG-178, RG-196
704000-178RDMMCX	RG-178 (DOUBLE SHIELDED)



RIGHT ANGLE CRIMP PLUG

PART NUMBER	CABLE
704001-316MMCX	RG-316, RG-188
704001-316RDMMCX	RG-316 (DOUBLE SHIELDED)
704001-178MMCX	RG-178, RG-196
704001-178RDMMCX	RG-178 (DOUBLE SHIELDED)

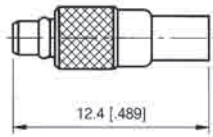
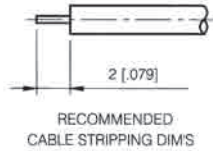


STRAIGHT CRIMP JACK

PART NUMBER	CABLE
704002-316MMCX	RG-316, RG-188
704002-316RDMMCX	RG-316 (DOUBLE SHIELDED)
704002-178MMCX	RG-178, RG-196
704002-178RDMMCX	RG-178 (DOUBLE SHIELDED)

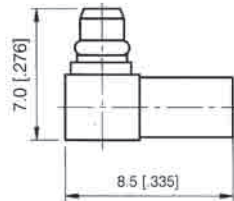
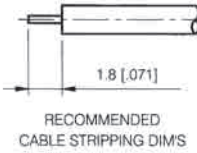
MMCX Series

DIRECT SOLDER FOR SEMI-RIGID CABLE



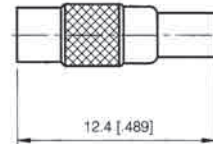
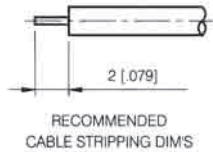
STRAIGHT CABLE PLUG

PART NUMBER	CABLE
704003-086MMCX	.086 DIA. S/R
704003-047MMCX	.047 DIA. S/R



RIGHT ANGLE CABLE PLUG

PART NUMBER	CABLE
704004-086MMCX	.086 DIA. S/R
704004-047MMCX	.047 DIA. S/R

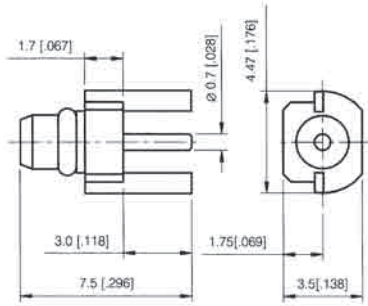


STRAIGHT CABLE JACK

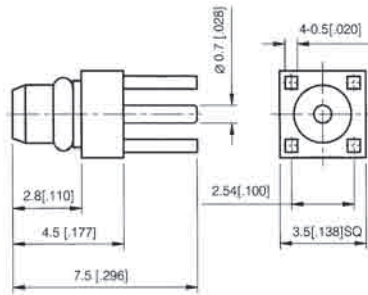
PART NUMBER	CABLE
704005-086MMCX	.086 DIA. S/R
704005-047MMCX	.047 DIA. S/R

MMCX Series

PRINTED CIRCUIT BOARD



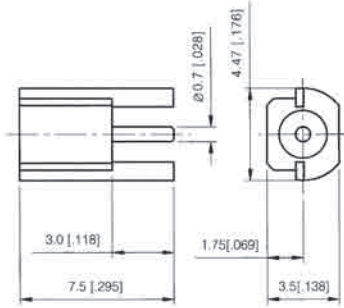
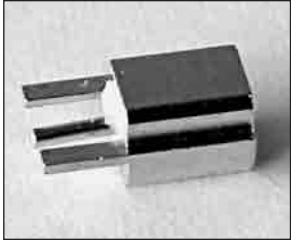
**EDGE CARD VERTICAL MOUNT PLUG
FOR P.C. BOARD**
PART NUMBER 704006-100



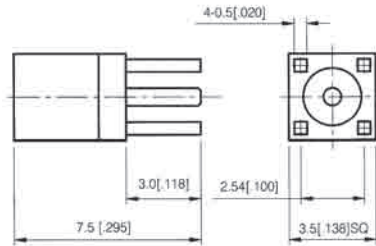
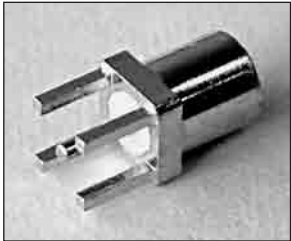
STRAIGHT PLUG FOR P.C. BOARD
PART NUMBER 704007-100

MMCX Series

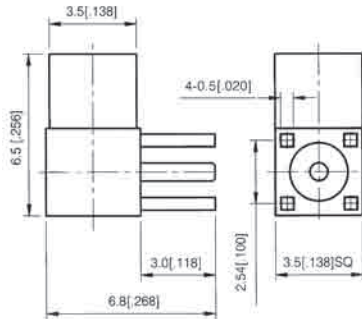
PRINTED CIRCUIT BOARD



**EDGE CARD VERTICAL MOUNT JACK
FOR P.C. BOARD**
PART NUMBER 704008-100

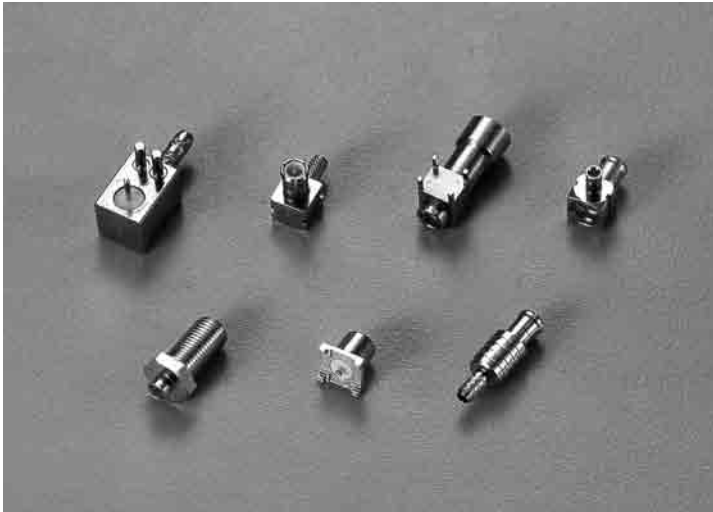


STRAIGHT JACK FOR P.C. BOARD
PART NUMBER 704009-100



RIGHT ANGLE JACK FOR P.C. BOARD
PART NUMBER 704010-100

MCX Series



Description

MCX provides broadband capability through 6GHz. A range of connector configurations is available including printed circuit board and cable connectors. This series gives design engineers options in Applications where weight and physical space are limited.

Applications

- Telecommunications
- Instrumentation
- Wireless
- Process Controls
- PC/LAN

Features

Low cost combined with high quality.
Broadband performance with low reflection DC to 6GHz.
Quick connect/disconnect snap-on mating.
50 ohm impedance.

MCX Series

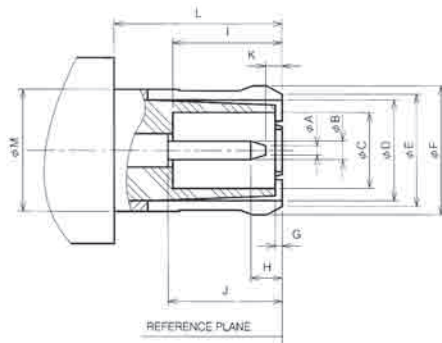
MCX - Specification:

MCX microminiature connectors provide repeatable performance from DC to 6 GHz. The design of these devices has taken into consideration the need for size reduction, low weight, durability and reliable performance. The MCX devices enable a 30% space reduction over similar SMB/SMC types.

The MCX is available for attachment to industry standard cable and as a printed circuit board device. The ** snap-on* connection feature between devices offer the user ease of assembly in dense packaging layouts.

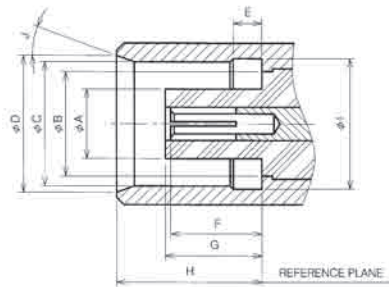
Applications of the MCX are those where size, weight, performance and ease of assembly are the driving considerations to the final design decision. Typically, these include GPS, wireless communications (WLAN and mobile) and automotive.

Interface Mating Dimensions:



PLUG

Letter	Millimeters	
	Minimum	Maximum
A	-	0.25 (0.010)
B	0.48 (0.019)	0.53 (0.21)
C	2.00 (0.079)	2.07 (0.0815)
D	-	3.00 (0.118)
E	-	3.60 (0.142)
F	3.63 (0.143)	3.80 (0.150)
G	0.00 (0.000)	0.30 (0.012)
H	-	1.20 (0.047)
I	2.80 (0.110)	3.20 (0.126)
J	2.80 (0.110)	3.20 (0.126)
K	0.15 (0.006)	-
L	4.15 (0.163)	-
M	-	3.40 (0.134)



JACK

Letter	Millimeters	
	Minimum	Maximum
A	1.80 (0.079)	1.98 (0.078)
B	-	3.00 (0.118)
C	3.42 (0.135)	3.48 (0.137)
D	3.80 (0.150)	-
E	0.75 (0.029)	0.85 (0.033)
F	2.30 (0.090)	2.80 (0.110)
G	2.60 (0.102)	2.80 (0.110)
H	4.00 (0.157)	4.12 (0.162)
I	3.60 (0.142)	3.80 (0.150)
J	18°	22°

MCX Series

Electrical:

Impedance	50 ohm	75 ohm
Frequency Range	0 to 6 GHz	0 to 6 GHz
VSWR	0-2 GHz = 1.22 max (straight) 1.5 max (right angle) 2-6 GHz = 1.35 max (straight) 1.63 max (right angle)	
Dielectric Withstanding Voltage	RG-174, 188, 316: 750 volts rms max RG-178, 196: 500 volts rms max	
Contact Resistance	Center Contact: 5.0 milliohms max. Outer Contact: 1.0 milliohms max.	
RF Leakage	-60 db min.	
Insertion Loss	0.4 db max (straight) 0.6 db max (right angle)	
Insulation Resistance	1,000 Meg ohms min	

Mechanical & Environmental

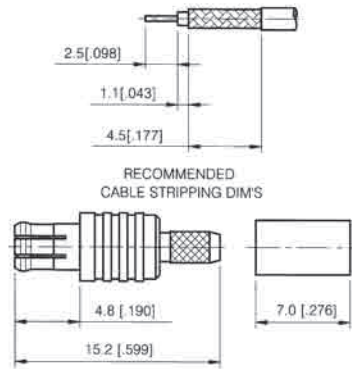
Mating	"Push-pull" snap-on coupling	
Durability	500 matings	
Cable Retention	RG-174, 188, 316: 20 lbs min	
Temperature Range	-65°C to 165°C	
Vibration	MIL-STD-202 Method 204 test Cond.B.	
Salt Spray	MIL-STD-202 Method 101 test Cond. B.	
Temperature Cycling	MIL-STD-1344 Method 1003 test Cond. A.	

Material:

	Material	Plating
Connector Body	Brass	Gold or Nickel
Center Contact	Male: Brass Female: Beryllium-Copper	Gold Gold
Insulation	Teflon	None
Gasket	Silicone	None
Crimp Ferrule	Annealed Copper or Brass	Same as Body

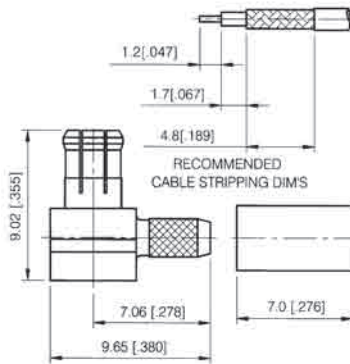
MCX Series

CRIMP ATTACHMENTS FOR FLEXIBLE CABLE



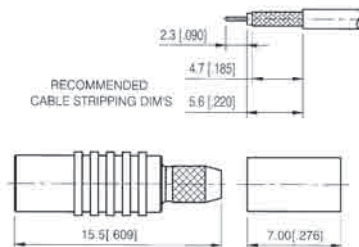
STRAIGHT CRIMP PLUG

PART NUMBER	CABLE
701958-316MCX	RG-316, RG-188
701958-316DSMCX	RG-316 (DOUBLE SHIELDED)
701958-179MCX	RG-179
701958-179DSMCX	RG-179 (DOUBLE SHIELDED)
701958-178MCX	RG-178, RG-196



RIGHT ANGLE CRIMP PLUG

PART NUMBER	CABLE
701955-316MCX	RG-316, RG-188
701955-316DSMCX	RG-316 (DOUBLE SHIELDED)
701955-179MCX	RG-179
701955-179DSMCX	RG-179 (DOUBLE SHIELDED)
701955-178MCX	RG-178, RG-196

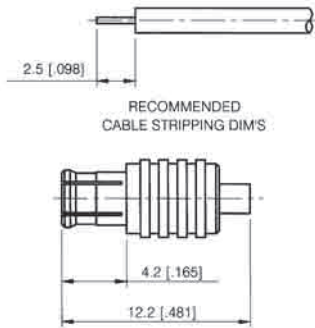


STRAIGHT CRIMP JACK

PART NUMBER	CABLE
701959-316MCX	RG-316, RG-188
701959-316DSMCX	RG-316 (DOUBLE SHIELDED)
701959-179MCX	RG-179
701959-179DSMCX	RG-179 (DOUBLE SHIELDED)
701959-178MCX	RG-178, RG-196

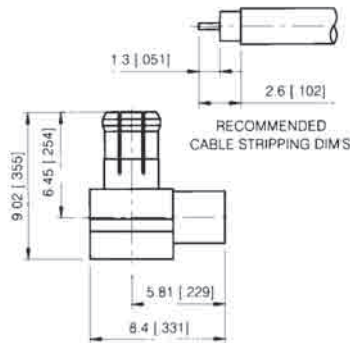
MCX Series

DIRECT SOLDER FOR SEMI-RIGID CABLE



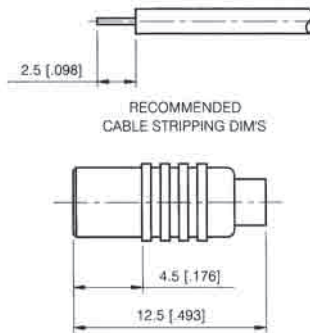
STRAIGHT SOLDER TYPE PLUG

PART NUMBER	CABLE
701943-141MCX	.141 DIA. S/R
701943-086MCX	.086 DIA. S/R
701943-047MCX	.047 DIA. S/R



RIGHT ANGLE SOLDER TYPE PLUG

PART NUMBER	CABLE
701944-141MCX	.141 DIA. S/R
701944-086MCX	.086 DIA. S/R
701944-047MCX	.047 DIA. S/R

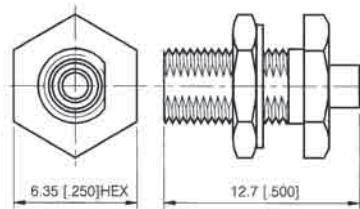


STRAIGHT SOLDER TYPE JACK

PART NUMBER	CABLE
701952-086MCX	.086 DIA. S/R
701952-047MCX	.047 DIA. S/R

MCX Series

SOLDER BULKHEAD FOR SEMI-RIGID CABLE

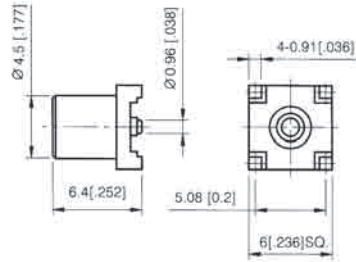
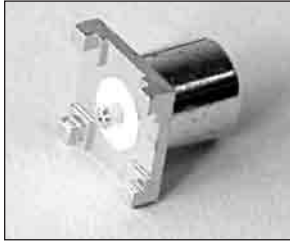


**STRAIGHT SOLDER BULKHEAD JACK-
SEMI-RIGID CABLE D-FLAT**

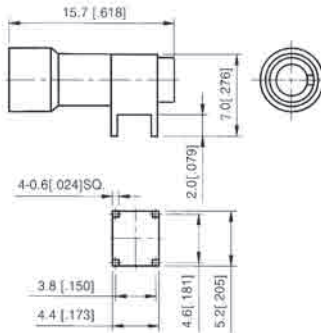
PART NUMBER	CABLE
701960-086MCX	.086 DIA. S/R
701960-047MCX	.047 DIA. S/R

MCX Series

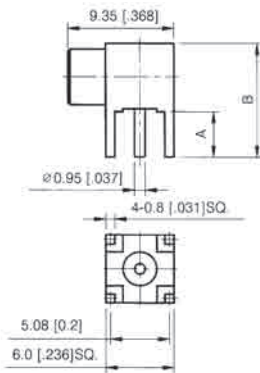
PRINTED CIRCUIT BOARD



**STRAIGHT JACK FOR
PRINTED CIRCUIT BOARD**
PART NUMBER 701961-100MCX

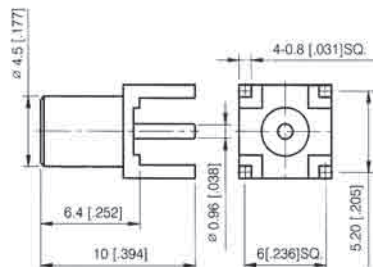


**RIGHT ANGLE JACK FOR
PRINTED CIRCUIT BOARD**
PART NUMBER 701962-100MCX



**RIGHT ANGLE JACK FOR
PRINTED CIRCUIT BOARD**

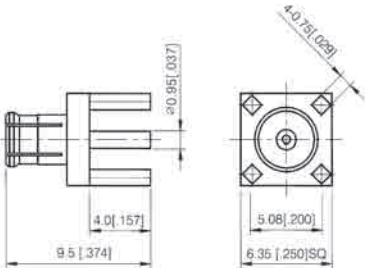
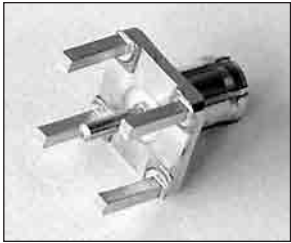
PART NUMBER	DIM. A	DIM. B
701963-100MCX	4 [.158]	10 [.394]
701963-101MCX	2 [.079]	8 [.315]



**STRAIGHT JACK FOR
PRINTED CIRCUIT BOARD**
PART NUMBER 701964-100MCX

MCX Series

PRINTED CIRCUIT BOARD



**STRAIGHT PLUG FOR PRINTED
CIRCUIT BOARD**

PART NUMBER 701965-100MCX

SMA Series



Description

SMA connectors are adaptable to interconnection Requirement of both systems and components. EZ Form Cable offers a wide variety of cable connectors, receptacles, feed thrus, stripline launchers, and precision adapters to allow for interfacing with other connector series.

Applications

- Civil 8 military telecommunication
- Instrumentation
- Wireless
- Process Controls
- PC/LAN
- Microwave Components (power splitters and combiners filters, amplifiers)

Features

- Commercial Grade (Brass SMA).
- Various cable groups including double shielded 316.
- Built in accordance with MIL-PRF-39012 and CECC 22110/111.
- Stainless steel versions with Gold or Passivated finish available.

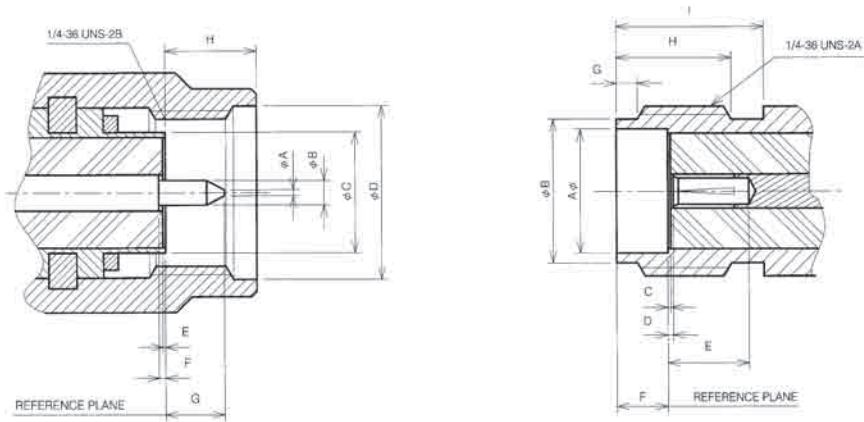
SMA Series

Specification SMA 50 ohm 0-18GHz

SMA connectors are semi-precision, subminiature devices that provide repeatable electrical performance from DC to 12.4 GHz with flexible cable. Semi-rigid cabling extends the frequency range of the device to 18 GHz. These devices offer broadband performance with low reflection and constant 50 ohm impedance. These properties, along with minimum attenuation and low VSWR have made the SMA extremely popular in the microwave community.

The SMA design has been broadened to accommodate many interconnect requirements and is available in pressure crimp, clamp and solder terminal attachments. SMA design parameters have incorporated the considerations of balancing cost, size, weight and performance to yield the best value in your microwave system. Among typical applications are components such as dividers, mixers, amplifiers, trimmers and attenuators. SMA connectors are also used to provide interconnections from printed circuit board striplines to coaxial cable.

Interface Mating Dimensions:



PLUG

Letter	Millimeters(Inches)	
	Minimum	Maximum
A	0.00(.000)	0.38(.015)
B	0.90(.0355)	0.94(.037)
C	-	4.59(.1808)
D	6.35(.250)	-
E	0.00(.000)	0.18(.007)
F	0.00(.000)	0.25(.010)
G	-	2.54(.100)
H	-	3.43(.135)

JACK

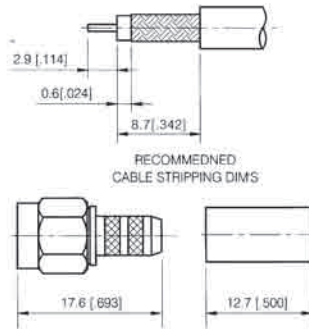
Letter	Millimeters(Inches)	
	Minimum	Maximum
A	4.60(.1810)	4.67(.1837)
B	5.28(.208)	5.49(.216)
C	0.00(.000)	0.18(.007)
D	0.00(.000)	0.25(.010)
E	2.92(.115)	-
F	1.88(.074)	1.98(.078)
G	0.38(.015)	1.14(.045)
H	4.32(.170)	-
I	5.54(.218)	-
J	1.24(.049)	1.30(.051)

SMA Series

Electrical:		
Impedance	50 ohm	
Frequency Range	For RG-402 & RG-405 semi-rigid cable- 0 to 18 GHz For flexible-max operation frequency of cable per MIL-C-17	
VSWR	RG-402 (0.141"O.D.): 1.05 + .005 x f GHz max (straight) 1.15 + .015 x f GHz max (right angle) RG-405 (0.085"O.D.): 1.05 + .005 x f GHz max (straight) 1.18 + .015 x f GHz max (straight) RG-58, 141, 142, 223: 1.10 + 0.01 x f GHz max (straight) 1.15 + 0.02 x f GHz max (right angle) RG-174, 188, 316: 1.15 + 0.01 x f GHz max (straight) 1.18 + 0.02 x f GHz max (right angle) RG-178, 196: 1.20 + 0.020 x f GHz max (straight) 1.25 + 0.025 x f GHz max (right angle)	
Voltage Rating	RG- 402(0.141"O.D.): 550 volts rms max RG- 405(0.085"O.D.): 335 volts rms max RG-58, 141, 142, 223: 550 volts rms max RG-174, 188, 316:335 volts rms max RG-178, 196: 250 volts rms max	
Dielectric withstanding Voltage	RG-402(0.141"O.D.): 1000 volts rms max RG-405(0.085"O.D.): 750 volts rms max RG-58, 141, 142, 223: 1000 volts rms max RG-174, 188, 316: 750 volts rms max RG-178, 196: 500 volts rms max	
Contact Resistance	Center Contact: 5.0 milliohms max. Outer Contact: 1.0 milliohms max.	
RF Leakage	- (90-f GHz) dB min	
Insertion Loss	0.04dB maximum x \sqrt{f} GHz (straight) 0.06dB maximum x \sqrt{f} GHz (right angle)	
Insulator Resistance	5,000 Megohms min	
Mechanical & Environmental		
Mating	1/4" -36 threaded coupling	
Durability	500 matings	
Coupling Nut Retention	60 lbs min.	
Recommended Nut Mating Torque	8 inch-pounds	
Cable Retention	RG-58, 141, 142, 223: 40 lbs min RG-174, 188, 316: 20 lbs min	
Temperature Range	- 65°C to 165°C	
Vibration	MIL-STD-202 Method 204 test Cond.D.	
Salt Spray	MIL-STD-202 Method 101 test Cond.B.	
Temperature Cycling	MIL-STD-202 Method 102 test Cond.C.	
Material:		
	Material	Plating
Connector Body	Brass	Gold over Nickel
	Stainless Steel	Passivated or Gold
Center Contact	Male: Brass	Gold over Nickel
	Female: Beryllium-Copper	Gold over Nickel
Insulation	Teflon	None
Gasket	Silicone	None
Crimp Ferrule	Annealed Copper	Same as Body

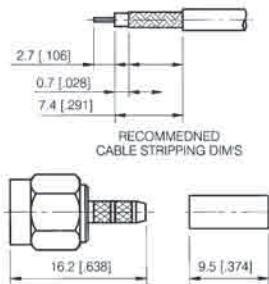
SMA Series

CRIMP ATTACHMENTS FOR FLEXIBLE CABLE



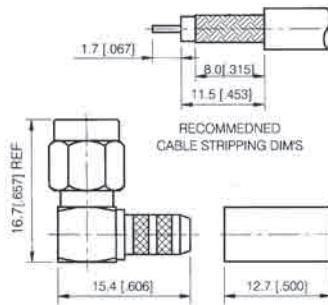
STRAIGHT CRIMP PLUG

PART NUMBER	CABLE
705548-001SMA	RG-58, RG-141
705545-001SMA	RG-55, RG-142



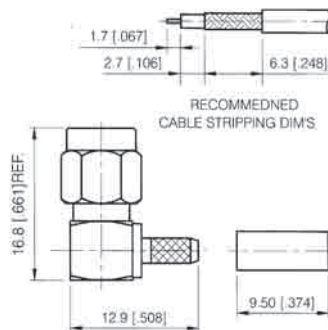
STRAIGHT CRIMP PLUG

PART NUMBER	CABLE
705546-001SMA	RG-316, RG-188
705546-002SMA	RG-316 (DOUBLE SHIELDED)
705551-001SMA	RG-178, RG-196



RIGHT ANGLE CRIMP PLUG

PART NUMBER	CABLE
705558-001SMA	RG-58, RG-141
705555-001SMA	RG-55, RG-142

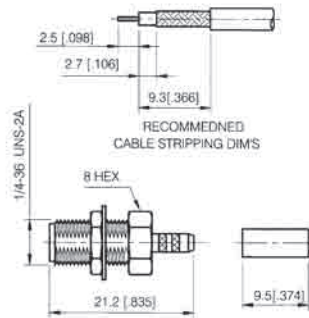


RIGHT ANGLE CRIMP PLUG

PART NUMBER	CABLE
705556-001SMA	RG-316, RG-188
705556-002SMA	RG-316 (DOUBLE SHIELDED)
705559-001SMA	RG-178, RG-196

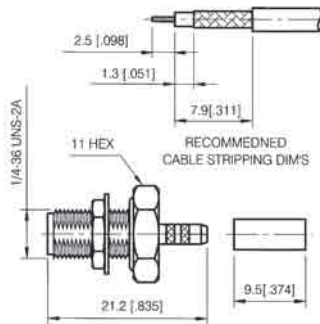
SMA Series

CRIMP ATTACHMENTS FOR FLEXIBLE CABLE



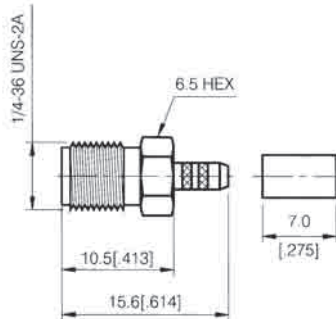
BULKHEAD CRIMP JACK

PART NUMBER	CABLE
705566-101SMA	RG-316, RG-188
705566-102SMA	RG-316 (DOUBLE SHIELDED)
705569-101SMA	RG-178, RG196



BULKHEAD CRIMP JACK WITH O-RING

PART NUMBER	CABLE
705566-001SMA	RG-316, RG-188
705566-002SMA	RG-316 (DOUBLE SHIELDED)
705569-001SMA	RG-178, RG196

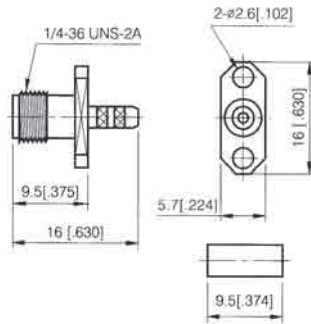
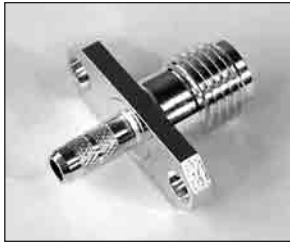


STRAIGHT CRIMP JACK

PART NUMBER	CABLE
705561-001SMA	RG-316, RG-188
705561-002SMA	RG-316 (DOUBLE SHIELDED)
705564-001SMA	RG-178, RG196

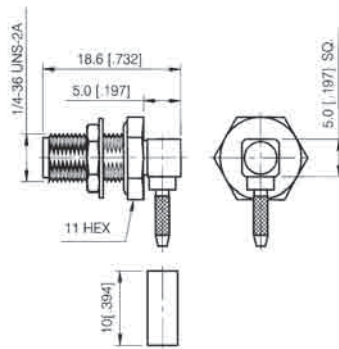
SMA Series

CRIMP ATTACHMENTS FOR FLEXIBLE CABLE



PANEL MOUNT JACK RECEPTACLES-2 HOLE SQUARE FLANGE

PART NUMBER	CABLE
705592-001SMA	RG-316, RG-188
705593-001SMA	RG-196, RG-178

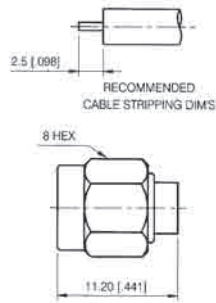


RIGHT ANGLE BULKHEAD CRIMP JACK WITH O-RING SEAL

PART NUMBER	CABLE
705576-001SMA	RG-316, RG-188
705576-002SMA	RG-316 (DOUBLE SHIELDED)
705579-001SMA	RG-196, RG-178

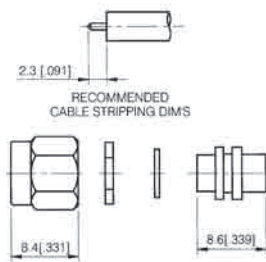
SMA Series

DIRECT SOLDER FOR SEMI-RIGID CABLE



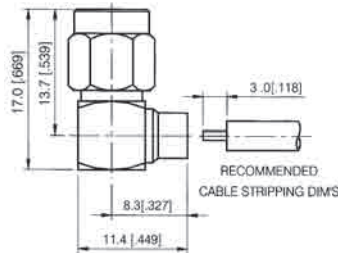
STRAIGHT CABLE PLUG-WITH CONTACT

PART NUMBER	CABLE
705533-101SMA	.141 DIA. S/R
705522-601SMA	.086 DIA. S/R



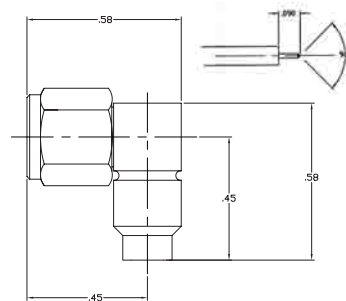
STRAIGHT CABLE PLUG-WITHOUT CONTACT

PART NUMBER	CABLE
705527-101SMA	.141 DIA. S/R



RIGHT ANGLE CABLE PLUG

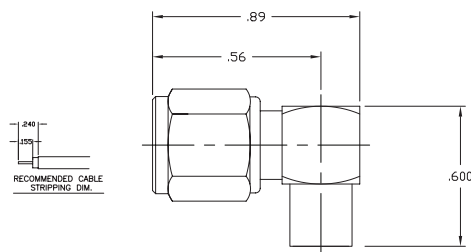
PART NUMBER	CABLE
705516-001SMA	.141 DIA. S/R
705523-001SMA	.086 DIA. S/R



HIGH FREQUENCY (18GHz)

RIGHT ANGLE CABLE PLUG

PART NUMBER	CABLE
705516-901SMA	.141 DIA S/R
705523-901SMA	.086 DIA S/R

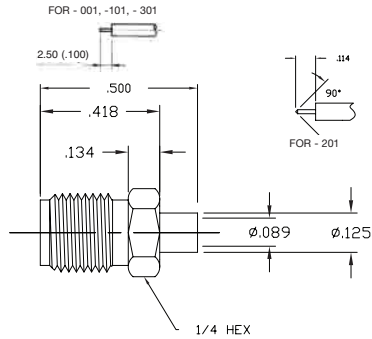


RIGHT ANGLE CABLE PLUG

PART NUMBER	CABLE
705101-001SMA	.250 DIA S/R

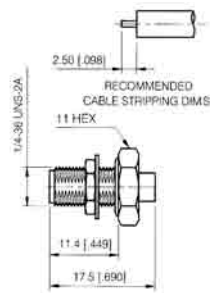
SMA Series

DIRECT SOLDER FOR SEMI-RIGID CABLE



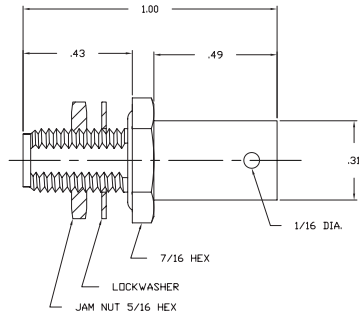
STRAIGHT CABLE JACK

PART NUMBER	CONTACT	CABLE
705517-001SMA	NON-CAPTIVE	.141 DIA. S/R
705524-101SMA	NON-CAPTIVE	.086 DIA. S/R
705517-301SMA	CAPTIVE	.141 DIA. S/R
705524-201SMA	CAPTIVE	.086 DIA. S/R



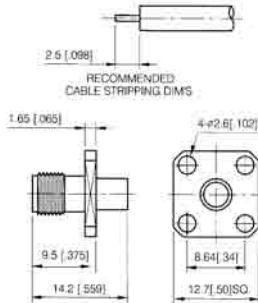
BULKHEAD FEED THROUGH CABLE JACK

PART NUMBER	CABLE
705528-101SMA	.141 DIA. S/R
705529-101SMA	.086 DIA. S/R



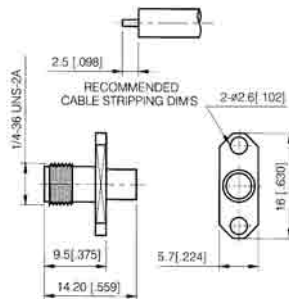
BULKHEAD FEED THROUGH CABLE JACK

PART NUMBER	CABLE
705543-101 SMA	.250 S/R
705543-201 SMA	.250 WP S/R



PANEL MOUNT CABLE JACK-4 HOLE SQUARE FLANGE

PART NUMBER	CABLE
705518-001SMA	.141 DIA. S/R
705521-101SMA	.086 DIA. S/R

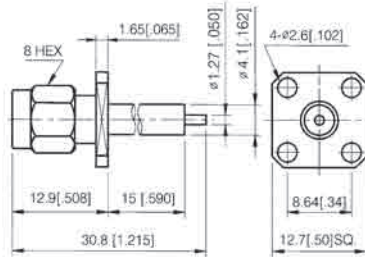


PANEL MOUNT CABLE JACK- 2 HOLE SQUARE FLANGE

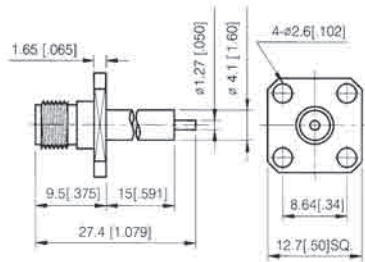
PART NUMBER	CABLE
705525-001SMA	.141 DIA. S/R
705526-001SMA	.086 DIA. S/R

SMA Series

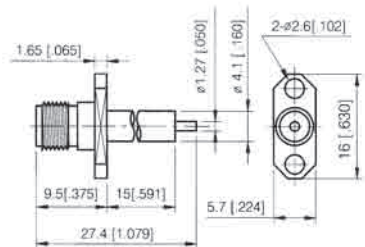
PANEL MOUNT RECEPTACLES



**PANEL MOUNT PLUG RECEPTACLE-4 HOLE
SQUARE FLANGE-EXPOSED TEFLON**
PART NUMBER 705618-001SMA



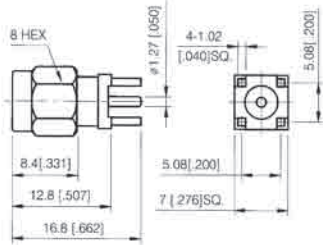
**PANEL MOUNT JACK RECEPTACLE-4 HOLE
SQUARE FLANGE-EXPOSED TEFLON**
PART NUMBER 705624-001SMA



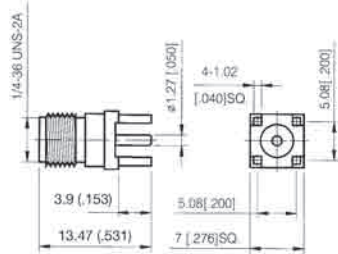
**PANEL MOUNT JACK RECEPTACLE-2 HOLE
SQUARE FLANGE-EXPOSED TEFLON**
PART NUMBER 705626-001SMA

SMA Series

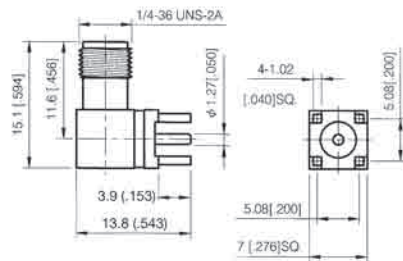
PRINTED CIRCUIT BOARD



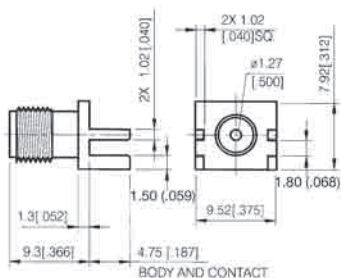
STRAIGHT PLUG FOR PRINTED CIRCUIT BOARD
PART NUMBER 705487-001SMA



STRAIGHT JACK FOR PRINTED CIRCUIT BOARD
PART NUMBER 705433-001SMA



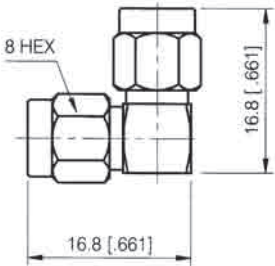
RIGHT ANGLE JACK FOR PRINTED CIRCUIT BOARD
PART NUMBER 705431-001SMA



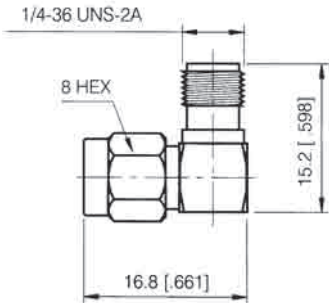
EDGE MOUNT STRAIGHT JACK FOR PRINTED CIRCUIT BOARD
PART NUMBER 705488-001SMA

SMA Series

RIGHT ANGLE ADAPTOR



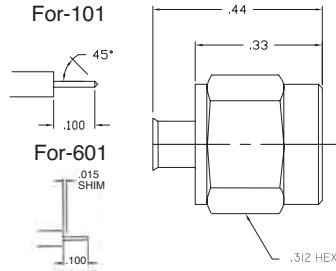
PLUG TO PLUG-RIGHT ANGLE
PART NUMBER 705717-002SMA



PLUG TO JACK-RIGHT ANGLE
PART NUMBER 705717-001SMA

SMA Series

DIRECT SOLDER FOR SEMI-RIGID CABLE -STAINLESS STEEL VERSIONS

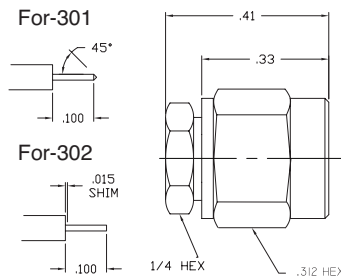


STRAIGHT CABLE PLUG

PART NUMBER	CONTACT	CABLE
705522-101	CAPTIVE	.086 S/R
705522-601	NON-CAPTIVE	.086 S/R

BODY: GOLD PLATE

COUPLING NUT: PASSIVATED

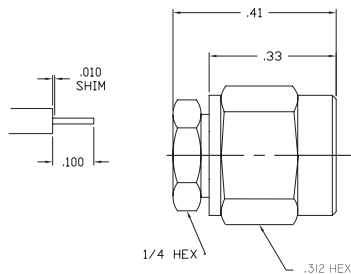


STRAIGHT CABLE PLUG - ANTI-TORQUE

PART NUMBER	CONTACT	CABLE
705522-301	CAPTIVE	.086 S/R
705522-302	NON-CAPTIVE	.086 S/R

BODY: GOLD PLATE

COUPLING NUT: PASSIVATED



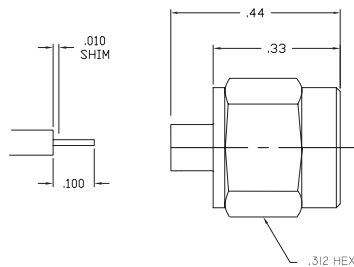
HIGH FREQUENCY (40GHz)

STRAIGHT CABLE PLUG- ANTI -TORQUE

PART NUMBER	CONTACT	CABLE
705522-303	NON-CAPTIVE	.086 S/R

BODY: GOLD PLATE

COUPLING NUT: PASSIVATED



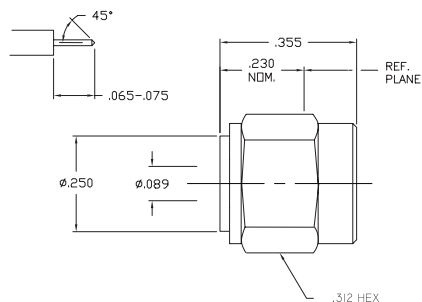
HIGH FREQUENCY (40GHz)

STRAIGHT CABLE PLUG

PART NUMBER	CONTACT	CABLE
705522-304	NON-CAPTIVE	.086 S/R

BODY: GOLD PLATE

COUPLING NUT: PASSIVATED



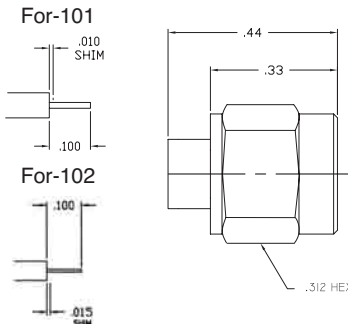
STRAIGHT CABLE PLUG - COMPRESSION CRIMP

PART NUMBER	CONTACT	CABLE
705522-909	CAPTIVE	.086 S/R

BODY & COUPLING NUT: PASSIVATED

SMA Series

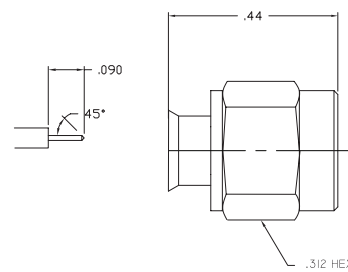
DIRECT SOLDER FOR SEMI-RIGID CABLE -STAINLESS STEEL VERSIONS



STRAIGHT CABLE PLUG

PART NUMBER	CONTACT	CABLE
705533-101	NON-CAPTIVE	.141 S/R
705533-201	NON-CAPTIVE	.141 LA S/R

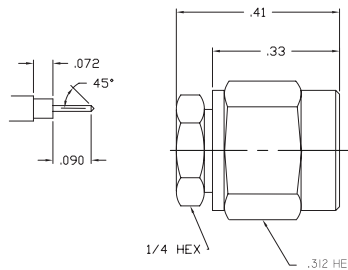
BODY: GOLD PLATE
COUPLING NUT: PASSIVATED



STRAIGHT CABLE PLUG

PART NUMBER	CONTACT	CABLE
705533-301	CAPTIVE	.141 S/R

BODY: GOLD PLATE
COUPLING NUT: PASSIVATED

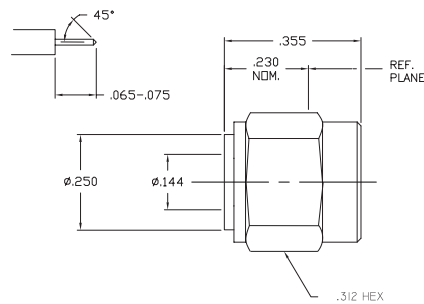


STRAIGHT CABLE PLUG -

ANTI-TORQUE/ NO CONTACT

PART NUMBER	STEPPED BODY	CABLE
705533-901	YES	.141 S/R

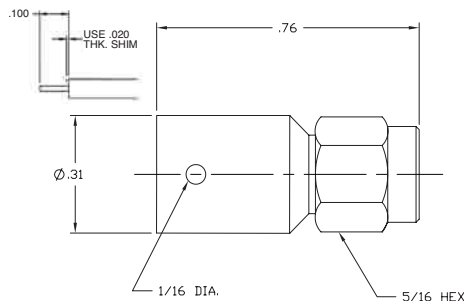
BODY: GOLD PLATE
COUPLING NUT: PASSIVATED



STRAIGHT CABLE PLUG - COMPRESSION CRIMP

PART NUMBER	CONTACT	CABLE
705533-909	CAPTIVE	.141 S/R

BODY & COUPLING NUT: PASSIVATED



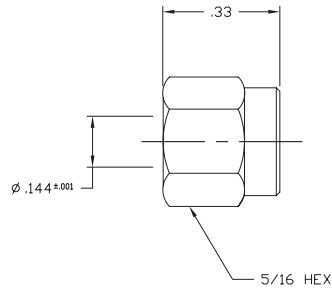
STRAIGHT CABLE PLUG

PART NUMBER	CONTACT	CABLE
705540-102	NON-CAPTIVE	.250 S/R
705540-201	NON-CAPTIVE	.250 WP S/R

BODY: GOLD PLATE
COUPLING NUT: PASSIVATED

SMA Series

DIRECT SOLDER FOR SEMI-RIGID CABLE -STAINLESS STEEL VERSIONS

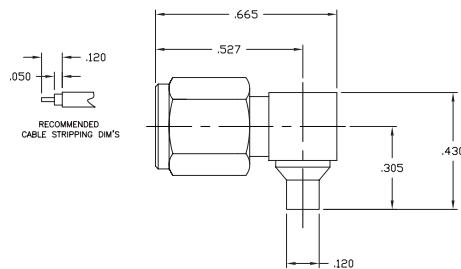


STRAIGHT CABLE PLUG - NO CONTACT

PART NUMBER	STEPPED BODY	CABLE
705527-102	YES	.141 S/R
705527-103	NO	.141 S/R

BODY: GOLD PLATE

COUPLING NUT: PASSIVATED

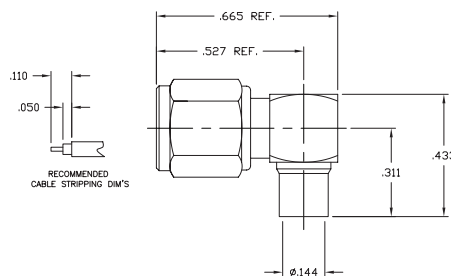


RIGHT ANGLE CABLE PLUG

PART NUMBER	CABLE
705523-186	.086 S/R

BODY: GOLD PLATE

COUPLING NUT: PASSIVATED

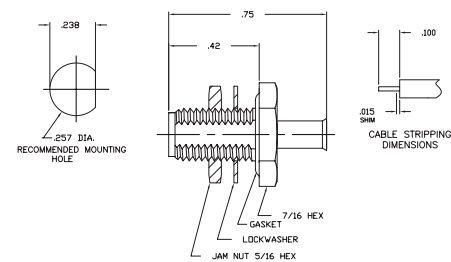


RIGHT ANGLE CABLE PLUG

PART NUMBER	CABLE
705516-101	.141 S/R

BODY: GOLD PLATE

COUPLING NUT: PASSIVATED



BULKHEAD FEED THROUGH CABLE JACK

PART NUMBER	CABLE
705529-101	.086 S/R

BODY, NUT & WASHER: GOLD PLATE

SMB Series



Description

The growth rate of these emerging markets has fueled an increasing demand for subminiature coaxial connectors with very good electrical performance to 4 GHz.

SMB connectors conform to the requirements MIL-PRF 39012, and their interface is in compliance with MIL-STD-348. SMB series connectors feature quick connect/disconnect snap-on mating and are available in 50 ohm, 75 ohm and a high density 75 ohm version. The series has broadband performance with low reflection.

Applications

- Telecommunications
- Instrumentation
- Wireless
- Process Controls
- PC/LAN
- Test and Measurement
- Base Station
- Microwave Components
- Radio Boards
- Video System

Features

- Low cost combined with high quality.
- Broadband performance with low reflection DC to 4 GHz.
- Quick connect/disconnect snap-on mating.
- 50 and 75 ohm impedance.
- Various Plating Options.
- Braid crimp cable attachment and solder center pin.
- Automated assembly and inspection.
- Especially designed for subminiature packaging needs where snap-on mating is an advantage.
- Conforms to the interface dimensions of MIL-STD-348 and CC22130/131.

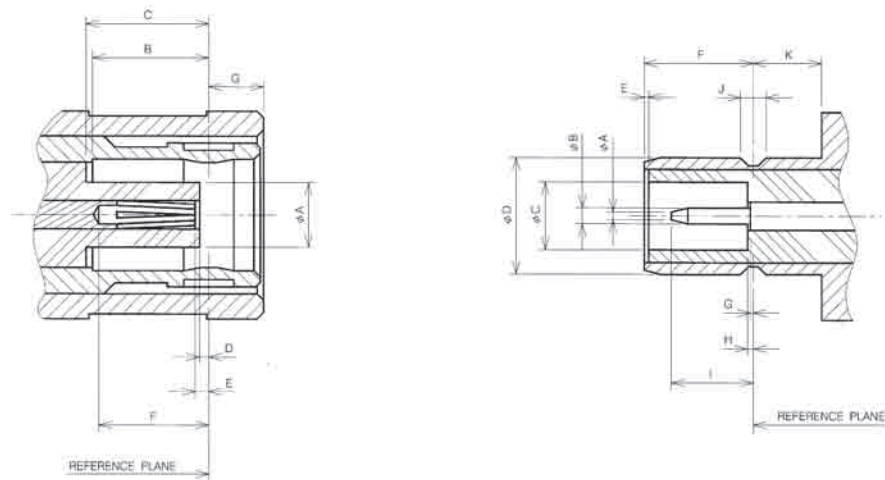
SMB Series

Specification SMB 50 ohm 0-4 GHz

SMB connectors are semi-precision, subminiature devices that provide repeatable electrical performance to 4GHz. The SMB family of connectors provides a means of quick-connect and disconnect through a snap-on type coupling. Its smaller physical size and snap-on coupling make the SMB an ideal general purpose connector where packaging density, ease of mating/unmating and economy are prerequisites. Crimp, clamp and receptacle types are available in right angle, printed circuit board and straight body style.

Typical application for SMB connectors are telecommunications, test equipment, instrumentation and GPS.

Interface Mating Dimensions:



PLUG

Letter	Millimeters(Inches)	
	Minimum	Maximum
A	2.01(.079)	2.06(.081)
B	3.58(.141)	3.78(.149)
C	3.58(.141)	-
D	0.27(.0105)	0.52(.0205)
E	0.29(.0115)	0.57(.0225)
F	2.97(.117)	-
G	-	1.63(.064)

JACK

Letter	Millimeters(Inches)	
	Minimum	Maximum
A	-	0.25(.010)
B	0.48(.019)	0.53(.021)
C	2.08(.082)	2.16(.085)
D	3.66(.144)	3.71(.146)
E	0.04(.0015)	0.24(.0095)
F	3.33(.131)	3.53(.139)
G	0.04(.0015)	0.18(.007)
H	-	0.18(.007)
I	2.39(.094)	2.72(.107)
	0.69(.027)	0.94(.037)
J	1.65(.065)	-

SMB Series

Electrical:

Impedance	50 ohm
Frequency Range	0 to 4.0 GHz
VSWR	RG-174, 188, 316: $1.25 + 0.04 \times f$ GHz max (straight) $1.3 + 0.04 \times f$ GHz max (right angle) RG-178, 196: $1.3 + 0.04 \times f$ GHz max (straight) $1.4 + 0.06 \times f$ GHz max (right angle)
Voltage Rating	* RG-174, 188, 316: 750 volts rms max * RG- 178, 196: 500 volts rms max
Dielectric withstanding Voltage	* RG-174, 188, 316: 750 volts rms max * RG-178, 196: 500 volts rms max
Contact Resistance	Center contact: 6.0 milliohms max. Outer contact: 1.0 milliohms max.
RF Leakage	- 55 dB min @ 3 GHz
Insertion Loss	.4 dB max (straight) .6 dB max (right angle)
Insulator resistance	1,000 Megohms min

Mechanical & Environmental

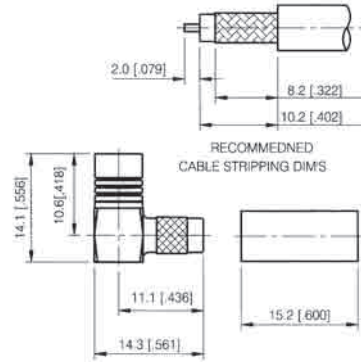
Mating	Snap-on coupling
Durability	500 matings
Coupling Nut Retention	40 lbs min
Cable Retention	RG-174, 188, 316: 20 lbs min RG-178, 196: 6 lbs min
Temperature Range	- 65° C to 165°C
Vibration	MIL-STD-202 Method 204 test Cond.D.
Salt Spray	MIL-STD-202 Method 101 test Cond.B.
Temperature Cycling	MIL-STD-1344 Method 1003 test Cond.C.

Material:

	Material	Plating
Connector Body	Brass	Gold or Nickel
Center Contact	Male: Brass Female: Beryllium-Copper	Gold
Insulation	Teflon	None
Gasket	Silicone	None
Crimp Ferrule	Annealed Copper	Same as Body

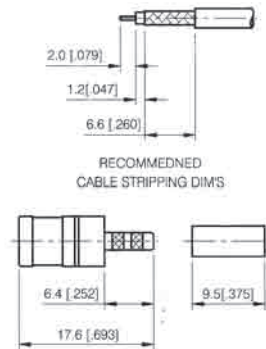
SMB Series

CRIMP ATTACHMENTS FOR FLEXIBLE CABLE



RIGHT ANGLE CRIMP PLUG

PART NUMBER	CABLE
700425-001SMB	RG-316, RG-188
700426-001SMB	RG-178, RG-196

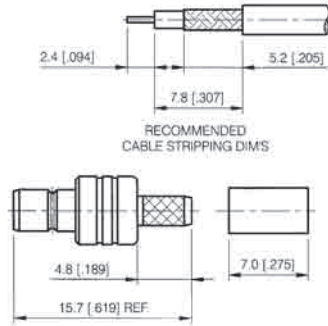


STRAIGHT CRIMP PLUG

PART NUMBER	CABLE
700405-001SMB	RG-316, RG-188

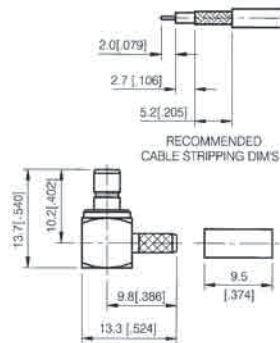
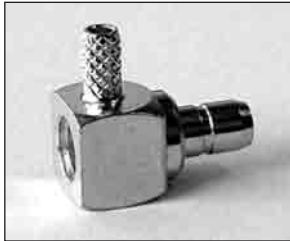
SMB Series

CRIMP ATTACHMENTS FOR FLEXIBLE CABLE



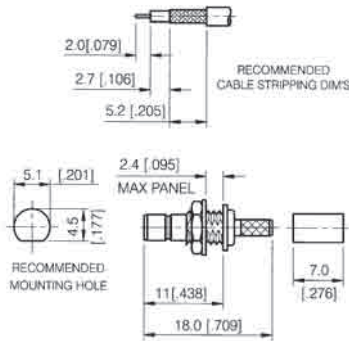
STRAIGHT CRIMP JACK

PART NUMBER	CABLE
700400-001SMB	RG-316, RG-188



RIGHT ANGLE CRIMP JACK

PART NUMBER	CABLE
700481SMB	RG-316, RG-188
700482SMB	RG-178, RG-196

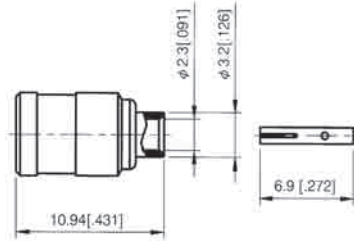


BULKHEAD FEEDTHROUGH CRIMP JACK

PART NUMBER	CABLE
700410-001SMB	RG-316, RG-188

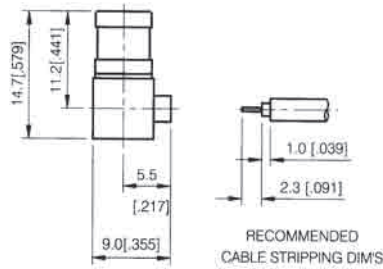
SMB Series

DIRECT SOLDER FOR SEMI-RIGID CABLE



STRAIGHT CABLE PLUG-WITH CONTACT

PART NUMBER	CABLE
700465-001SMB	.141 DIA. S/R
700466-001SMB	.086 DIA. S/R
700467-001SMB	.047 DIA. S/R

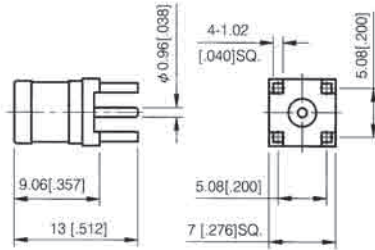


RIGHT ANGLE CABLE PLUG

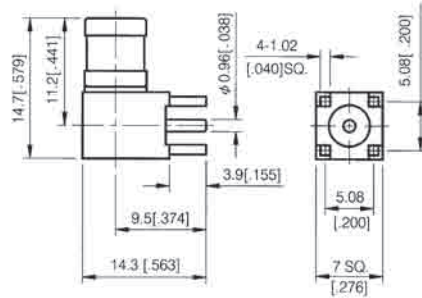
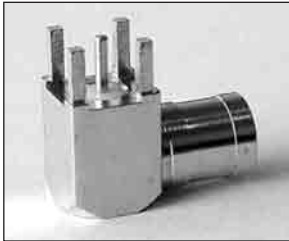
PART NUMBER	CABLE
700472-001SMB	.141 DIA. S/R
700473-001SMB	.086 DIA. S/R
700474-001SMB	.047 DIA. S/R

SMB Series

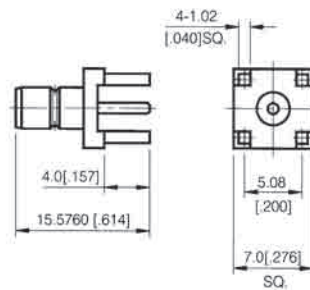
PRINTED CIRCUIT BOARD



**STRAIGHT PLUG FOR PRINTED
CIRCUIT BOARD**
PART NUMBER 700213SMB



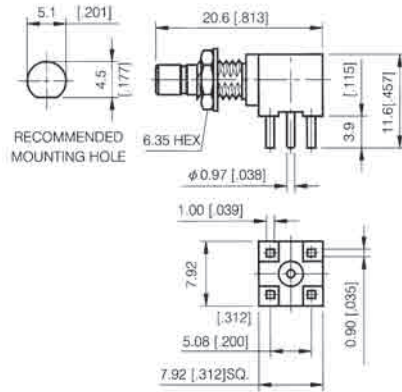
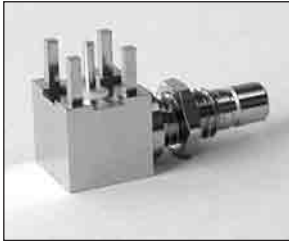
**RIGHT ANGLE PLUG FOR PRINTED
CIRCUIT BOARD**
PART NUMBER 700218SMB



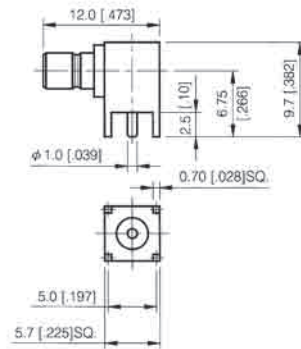
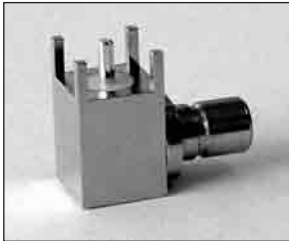
**STRAIGHT JACK FOR PRINTED
CIRCUIT BOARD**
PART NUMBER 700209SMB

SMB Series

PRINTED CIRCUIT BOARD



**RIGHT ANGLE BULKHEAD JACK
FOR PRINTED CIRCUIT BOARD**
PART NUMBER 700216SMB



**RIGHT ANGLE JACK FOR PRINTED
CIRCUIT BOARD**
PART NUMBER 700214SMB

BNC Series



Description

BNC connectors are miniature units, light in weight and feature a quick disconnect bayonet lock coupling mechanism. One of the most widely used connector interfaces in the industry today, BNC connectors are available in a number of termination styles and accommodate a variety of popular coaxial cables.

Applications

- Computer/LANs
- Instrumentation
- Test and Measurement
- Medical Equipment
- Broadcast (75 ohm)

Features

BNC connectors with a 50 ohm nominal impedance are designed for use in telecommunication, datacommunication and test and instrumentation equipment. BNC connectors with a 75 ohm nominal impedance are designed for broadcast, video and other applications which require impedance matched performance. Both 50 ohm and 75 ohm BNC connectors are intermateable.

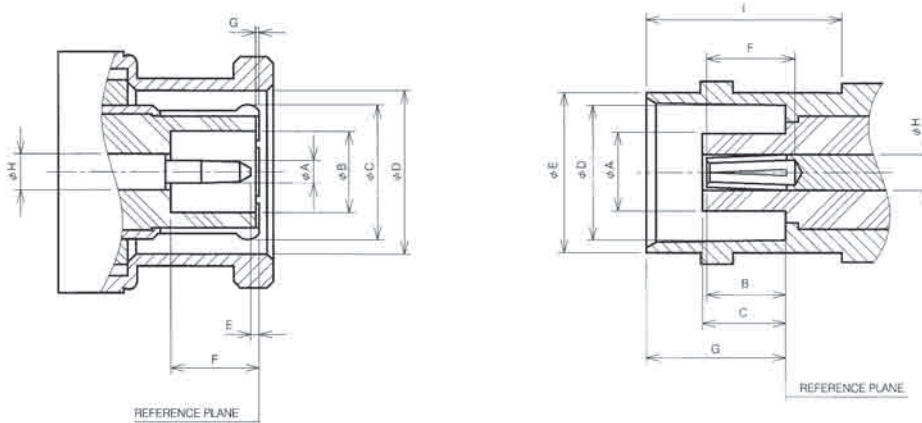
BNC Series

Specification BNC 50 ohm 0-4 GHz

BNC coaxial connectors are one of the world's most popular RF connectors. They are miniature, light-weight and can operate satisfactorily up to 4 GHz. The BNC is typically used in applications from DC to 4 GHz and yield low reflection in this frequency range.

Cable terminations are available in crimp, clamp, solder and jacket quick twist configurations. The two-stud bayonet lock coupling provides ease of connecting and disconnecting and is ideally suited for applications such as test equipment where this feature is notably significant. BNC connectors are most prevalent in computer networks, audio, data processing and telecommunications equipment because of their size and relatively low installed cost.

Interface Mating Dimensions:



PLUG

Letter	Millimeters(Inches)	
	Minimum	Maximum
A	1.32(0.052)	1.37(0.054)
B	4.83(0.190)	-
C	-	-
D	9.78(0.385)	9.91(0.390)
E	0.35(0.014)	-
F	5.33(0.210)	-
G	0.15(0.006)	-
H	2.14(0.0842) nom.	

JACK

Letter	Millimeters(Inches)	
	Minimum	Maximum
A	4.60(0.1810)	4.67(0.1837)
B	4.55(0.179)	5.23(0.206)
C	-	5.28(0.208)
D	8.10(0.319)	8.15(0.321)
E	9.60(0.378)	9.70(0.382)
F	4.95(0.195)	-
G	8.31(0.327)	8.51(0.335)
H	2.140(0.0842) nom.	
I	10.52(0.414)	-

BNC Series

Electrical:

Impedance	50 ohm	75 ohm
Frequency Range	0 to 4.0 GHz	0 to 1 GHz
VSWR	1.3 max	
Voltage Rating	* RG-58, 141, 142, 223: 500volts rms max * RG-174, 188, 316: 335 volts rms max	
Dielectric withstanding Voltage	* RG-58, 141, 142, 223: 1000 volts rms max * RG-174, 188, 316: 750 volts rms max	
Contact resistance	center contact: 1.5 milliohms max Outer contact: 0.5 milliohms max	
RF Leakage	-55 dB min @ 3 GHz	
Insertion Loss	0.2dB max @ 3 GHz	
Insulator resistance	5,000 Megohms min	

Mechanical & Environmental

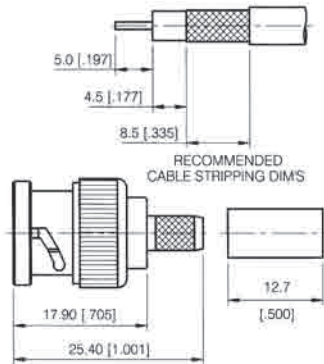
Mating	Two stud bayonet coupling	
Durability	500 matings	
Coupling Nut Retention	100 lbs min	
Cable Retention	RG-58, 141, 142, 223: 40 lbs min RG- 59, 62A, 210: 40 lbs min RG- 174, 188, 316: 20 lbs min RG-179B, 187A: 20 lbs min	
Temperature Range	-65 °C to 165 °C	
Vibration	MIL-STD-202 Method 204 test Cond.D.	
Salt Spray	MIL-STD-202 Method 101 test Cond.B.	

Material:

	Material	Plating
Connector Body	Brass	Gold or Nickel
Center Contact	Male: Brass Female: Brass, Phosphor Bronze or Gold Beryllium- Copper	Gold
Insulation	Teflon or Delrin	None
Gasket	Silicone Rubber, Rubber	None
Crimp Ferrule	Annealed Copper or Brass	Same as Body

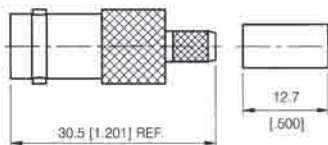
BNC Series

CRIMP ATTACHMENTS FOR FLEXIBLE CABLE



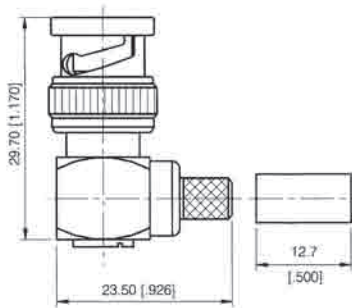
STRAIGHT CRIMP PLUG

PART NUMBER	CABLE
701064-001BNC	RG-58
701058-001BNC	RG-179
701065-001BNC	RG-302



STRAIGHT CRIMP JACK

PART NUMBER	CABLE
701623-001BNC	RG-58
701624-001BNC	RG-179

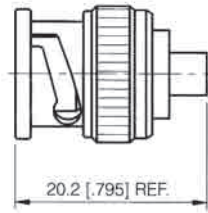


RIGHT ANGLE CRIMP PLUG

PART NUMBER	CABLE
701636-001BNC	RG-58
701637-001BNC	RG-59
701640-001BNC	RG-316, RG-188
701641-001BNC	RG-179

BNC Series

DIRECT SOLDER FOR SEMI-RIGID CABLE



STRAIGHT CABLE PLUG

PART NUMBER

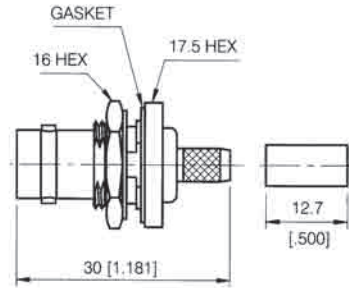
705950-101BNC

CABLE

.141 DIA. S/R

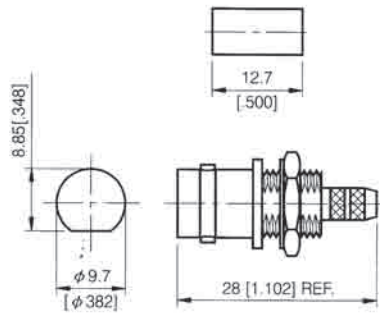
BNC Series

BULKHEAD MOUNT FOR FLEXIBLE CABLE



BULKHEAD JACK RECEPTACLE-REAR MOUNT

PART NUMBER	CABLE
701630-001BNC	RG-58
701630-002BNC	RG-316, RG-188



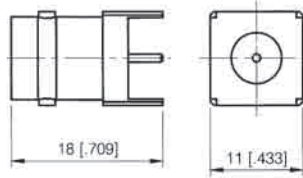
BULKHEAD JACK RECEPTACLE-FRONT MOUNT

PART NUMBER	CABLE
701600-001BNC	RG-58

RECOMMENDED
MOUNTING HOLE

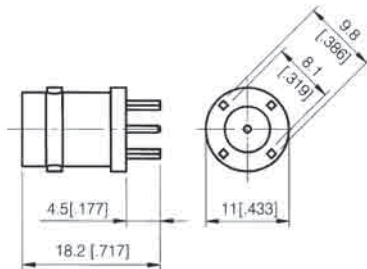
BNC Series

STRAIGHT JACK FOR PRINTED CIRCUIT BOARD



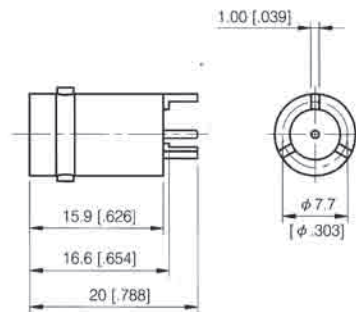
**STRAIGHT JACK FOR PRINTED
CIRCUIT BOARD**

PART NUMBER 701601BNC



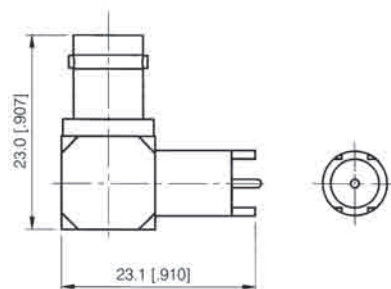
**STRAIGHT JACK FOR PRINTED
CIRCUIT BOARD**

PART NUMBER 701602BNC



**STRAIGHT JACK FOR PRINTED
CIRCUIT BOARD**

PART NUMBER 701603BNC

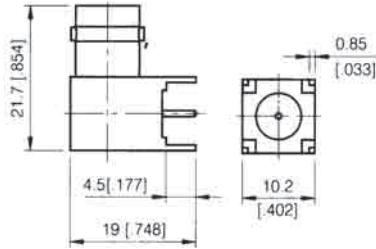
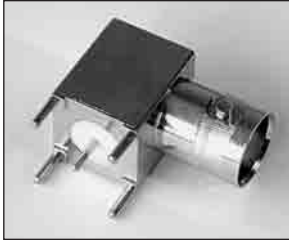


**RIGHT ANGLE JACK FOR PRINTED
CIRCUIT BOARD**

PART NUMBER 701604BNC

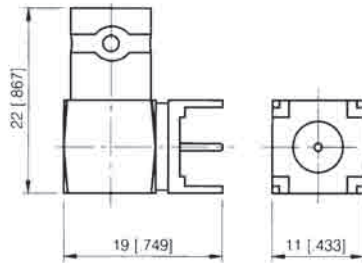
BNC Series

RIGHT ANGLE JACK FOR PRINTED CIRCUIT BOARD



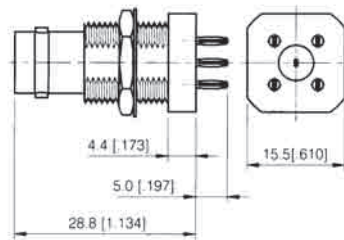
**RIGHT ANGLE JACK FOR PRINTED
CIRCUIT BOARD**

PART NUMBER 701605BNC



**RIGHT ANGLE JACK FOR PRINTED
CIRCUIT BOARD**

PART NUMBER 701606BNC

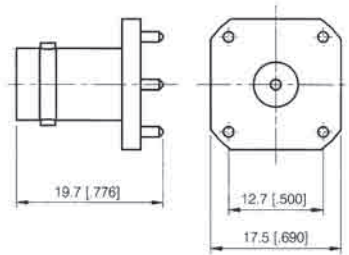
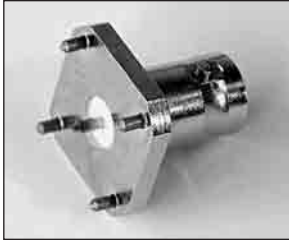


BULKHEAD PRESS FIT JACK (75 OHM)

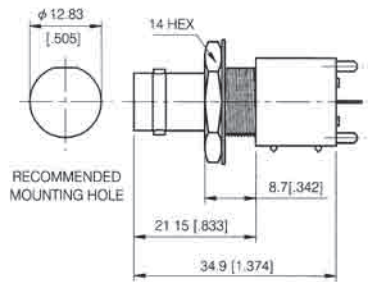
PART NUMBER 701607BNC

BNC Series

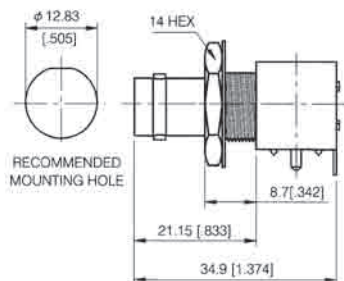
PRINTED CIRCUIT BOARD



**PANEL MOUNT JACK RECEPTACLE
FOR PRINTED CIRCUIT BOARD
PART NUMBER 701608BNC**



**STRAIGHT JACK FOR PRINTED
CIRCUIT BOARD RECEPTACLE
PART NUMBER 701609BNC**



**RIGHT ANGLE JACK FOR PRINTED
CIRCUIT BOARD RECEPTACLE
PART NUMBER 701610BNC**

TNC Series



Description

TNC connectors are miniature, weatherproof units which have constant 50 ohm impedance and operate in the 0-11 GHz frequency range. These features make TNC connectors an ideal choice for use in cellular mobile communications, and test and instrument equipment. TNC connectors are also widely used in airframe, aerospace and radar applications where extreme vibration is a factor.

Applications

- Cellular Mobile Phones
- Test and Measurement
- Computer Network/LANs
- Microwave Components (Filters, Diplexors)
- Aircraft and Missile
- Instrumentation
- Radar
- Base Stations

Features

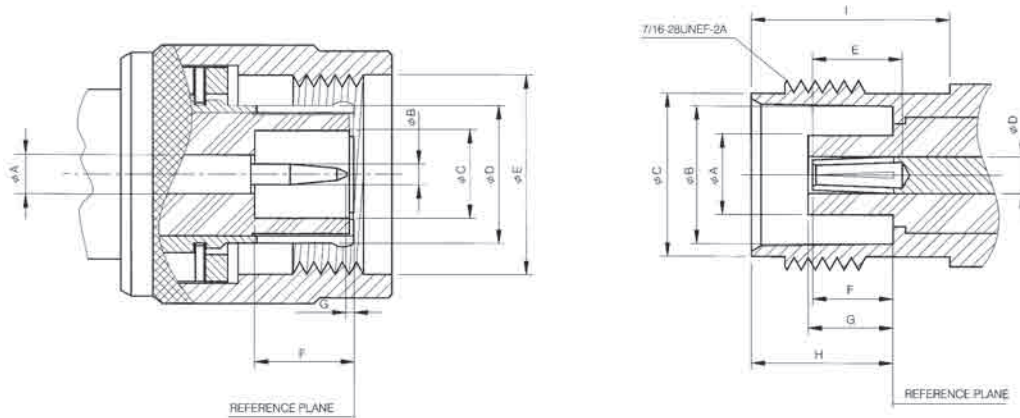
- These connectors are suitable for use in applications where safety can not be compromised such as test and measurement, and medical equipment.

TNC Series

Specification TNC 50 ohm 0-11GHz

TNC series connectors are similar to BNC connectors except for their mating threaded coupling which is designed to provide low reflection from DC to 11 GHz under extreme environmental conditions, especially shock and vibration. Cable terminations are available in crimp, clamp, twist-on and solder configurations. The 7/16" – 28 thread coupling provides positive mating. Although their rugged design was initially developed for high vibration environments, TNC connectors are widely accepted and used for data transmission, medical equipment, cellular mobile telephones, test equipment, microwave components and aerospace applications.

Interface Mating Dimensions:



PLUG

Letter	Millimeters(Inches)	
	Minimum	Maximum
A	2.06 (0.081)	2.21 (0.087)
B	1.32 (0.052)	1.37 (0.054)
C	4.83 (0.190)	-
D	-	8.08 (0.318)
E	11.18 (0.440)	-
F	5.28 (0.208)	5.79(0.228)
G	0.08(0.003)	1.02(0.040)

JACK

Letter	Millimeters(Inches)	
	Minimum	Maximum
A	-	4.72 (0.186)
B	8.10 (0.319)	8.15 (0.321)
C	9.60 (0.378)	9.68 (0.381)
D	2.06(0.081)	2.21 (0.087)
E	4.95(0.195)	-
F	4.95(0.075)	-
G	4.72(0.186)	5.23 (0.206)
H	8.31 (0.327)	8.51 (0.335)
I	10.52(0.414)	-

TNC Series

Electrical:

Impedance	50 ohm	75 ohm
Frequency Range	0 to 11.0 GHz	0 to 1.0 GHz
VSWR	1.3 max	
Voltage Rating	RG-58, 141, 142, 223: 500volts rms max RG-174, 188, 316: 335 volts rms max	
Dielectric withstanding Voltage	RG-58, 141, 142, 223: 1000 volts rms max RG-174, 188, 316: 750 volts rms max	
Contact Resistance	Center contact: 1.5 milliohms max Outer contact: 0.2 milliohms max	
RF Leakage	-55dB min @ 3 GHz	
Insertions Loss	0.2dB max @ 3 GHz	
Insulator resistance	5,000 Megohms min.	

Mechanical & Environmental

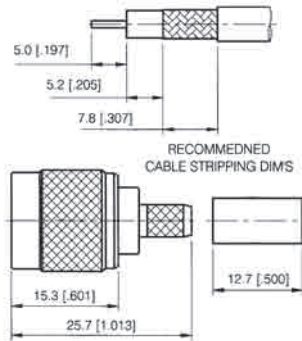
Mating	7/16" – 28 threaded coupling	
Durability	500 matings	
Coupling Nut Retention	100 lbs min	
Cable Retention	RG-58, 141, 142, 223: 40 lbs min RG-59, 62A, 210: 40 lbs min RG-174, 188, 316: 20 lbs min	
Temperature Range	-65°C to 165 °C	
Vibration	MIL-STD-202 Method 204 test Cond.B.	
Temperature Cycling	MIL-STD-202 Method 101 test Cond.B.	

Material:

	Material	Plating
Connector Body	Brass	Gold or Nickel
Center Contact	Male: Brass Female: Brass, Phosphor Bronze or Beryllium-Copper	Gold Gold
Insulation	Teflon or Delrin	None
Gasket	Silicone Rubber, Rubber	None
Crimp Ferrule	Annealed Copper or Brass	Same as Body

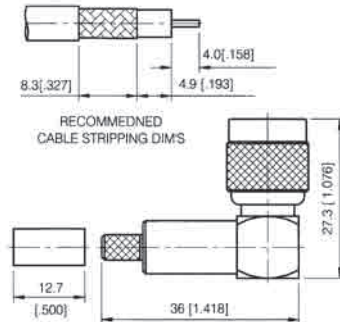
TNC Series

CRIMP ATTACHMENTS FOR FLEXIBLE CABLE



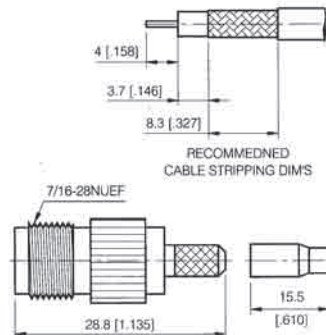
STRAIGHT CRIMP PLUG-STANDARD CABLE

PART NUMBER	CABLE
701040TNC	RG-58, RG-141
701041TNC	RG-55, RG-142
701039TNC	RG-316, RG188



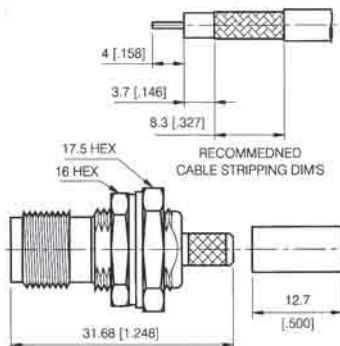
RIGHT ANGLE CRIMP PLUG-STANDARD CABLE

PART NUMBER	CABLE
701049TNC	RG-58, RG-141
701050TNC	RG-55, RG-142
701051TNC	RG-316, RG188



STRAIGHT CRIMP JACK-STANDARD CABLE

PART NUMBER	CABLE
701069TNC	RG-58, RG-141
701070TNC	RG-55, RG-142
701071TNC	RG-316, RG188

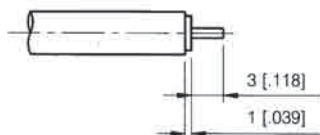


BULKHEAD CRIMP JACK-STANDARD CABLE

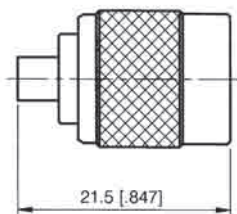
PART NUMBER	CABLE
701097TNC	RG-58, RG-141
701098TNC	RG-55, RG-142
701099TNC	RG-316, RG188

TNC Series

DIRECT SOLDER FOR SEMI-RIGID CABLE

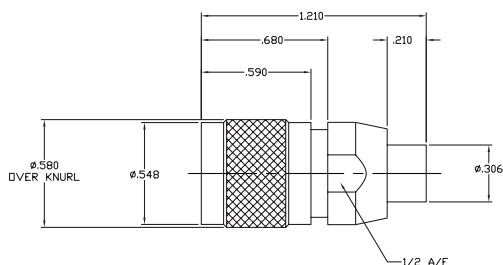


RECOMMENDED
CABLE STRIPPING DIM'S



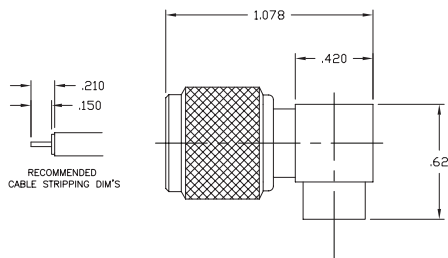
STRAIGHT CENTER SOLDER PLUG

PART NUMBER	CABLE
705940-101TNC	.141 DIA. S/R
705941-101TNC	.086 DIA. S/R



STRAIGHT SOLDER PLUG

PART NUMBER	CABLE
705946-001TNC	.250 DIA S/R



RIGHT ANGLE SOLDER PLUG

PART NUMBER	CABLE
701045-250TNC	.250 DIA S/R

N Series



Description

N series coaxial connectors are medium size units which have constant 50 ohm impedance, and provide excellent radio frequency performance up to 12.4 GHz.

Applications

- Antenna
- Base Stations
- Microwave Components (Power Splitters & Combines, Filters, Diplexors)
- Transmitters
- Broadcast
- Receivers
- Radar
- Test & Measurements
- Instrumentation
- LANs

Features

- Accommodates a wide range of popular coaxial cables. Provides threaded coupling mechanisms.
- Available in crimp terminations to provide for low cost installations.

N Series

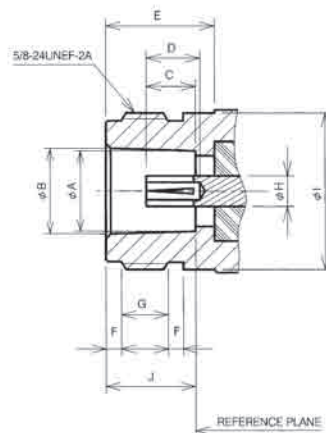
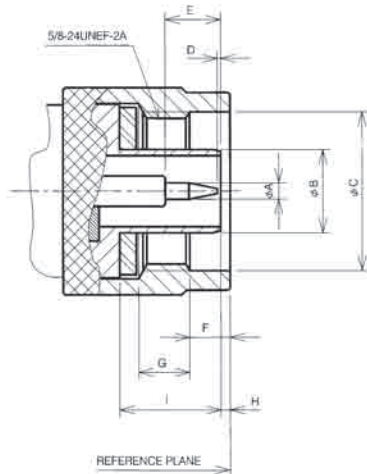
Specification N 50 ohm 0-12.4 GHz

N Series coaxial connectors are medium-sized, threaded coupling connectors designed for use from DC to 12.4 GHz. Their consistently low broadband VSWR have made them popular over the years in many applications. The N series connector is impedance matched to 50 ohm cables.

Cable terminations are available in crimp, clamp and solder configurations. The threaded coupling ensures proper mating in applications where shock and extreme vibration are designed considerations.

N connectors are used in aerospace, broadcast audio and video applications as well a many microwave components such as filters, couplers, dividers, amplifiers and attenuators to name a few.

Interface Mating Dimensions:



PLUG

Letter	Millimeters(Inches)	
	Minimum	Maximum
A	1.60 (0.063)	1.68 (0.066)
B	7.95 (0.313)	8.03 (0.3158)
C	16.00 (0.630)	-
D	0.08 (0.003)	-
E	5.33 (0.210)	5.84 (0.230)
F	4.01 (0.158)	4.27 (0.168)
G	4.50 (0.177)	-
H	0.41 (0.016)	1.52 (0.060)
I	10.11 (0.398)	10.46 (0.412)

JACK

Letter	Millimeters(Inches)	
	Minimum	Maximum
A	8.03(.316)	8.13(.320)
B	8.53(.336)	8.74(.344)
C	4.75(.187)	5.26(.207)
D	5.33(.210)	-
E	10.72(.422)	-
F	1.19(.047)	1.96(.077)
G	4.37(.172)	5.13(.202)
H	3.00(.118)	3.15(.124)
I	-	15.93(.627)
J	9.04(.356)	9.19(.362)

N Series

Electrical:

Impedance	50 ohm	75 ohm
Frequency Range	0 to 12.4 GHz	0 to 1.5 GHz
VSWR	1.15 + 0.015 x f GHz max	
Voltage Rating	RG-58, 141, 142, 223: 500 volts rms max RG-174, 188, 316: 335 volts rms max	
Dielectric withstanding Voltage	RG-58, 141, 142, 223: 1000 volts rms max RG-174, 188, 316: 750 volts rms max	
Contact Resistance	Center contact: 1.0 milliohms max Outer contact: 2.0 milliohms max	
RF Leakage	- (90-f GHz) dB min	
Insertion Loss	0.05 dB max X \sqrt{f} GHz	
Insulator resistance	5,000 Megohms min	

Mechanical & Environmental

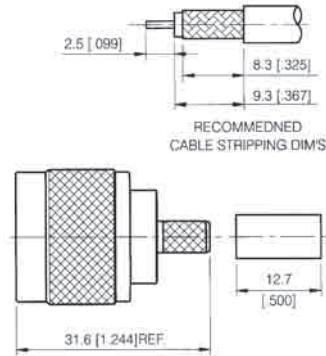
Mating	5/8" – 24 threaded coupling	
Durability	500 matings	
Coupling Nut Retention	100 lbs min	
Cable Retention	RG-58, 141, 142, 223: 40 lbs min RG- 59, 62A, 210: 40 lbs min RG-174, 188, 316: 20 lbs min RG-8A, 9B, 213, 214: 80 lbs min	
Temperature Range	-65°C to 165°C	
Vibration	MIL-STD-202 Method 204 test Cond.B.	
Salt Spray	MIL-STD-202 Method 101 test Cond.B.	
Temperature Cycling	MIL-STD-202 Method 107 test Cond.B.	

Material:

	Material	Plating
Connector Body	Brass	Gold/Silver/Nickel
Center Contact	Male: Brass Female: Brass, Phosphor Bronze Or Beryllium- Copper	Gold Gold
Insulation	Teflon or Delrin	None
Gasket	Silicone Rubber, Rubber	None
Crimp Ferrule	Annealed Copper or Brass	Same as Body

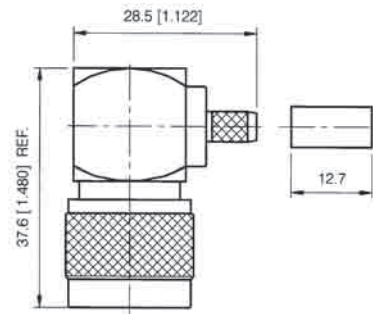
N Series

CRIMP ATTACHMENTS FOR FLEXIBLE CABLE



STRAIGHT CRIMP PLUG

PART NUMBER	CABLE
701104-001N	RG-58, RG-141

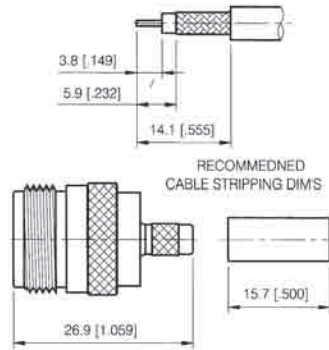


RIGHT ANGLE CRIMP PLUG

PART NUMBER	CABLE
701200N	RG-58, RG-141
701201N	RG-316, RG-188

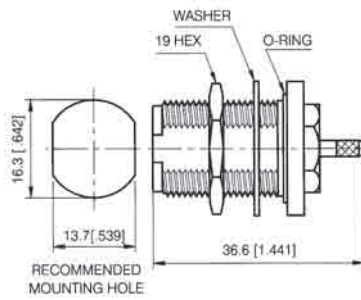
N Series

CRIMP ATTACHMENTS FOR FLEXIBLE CABLE



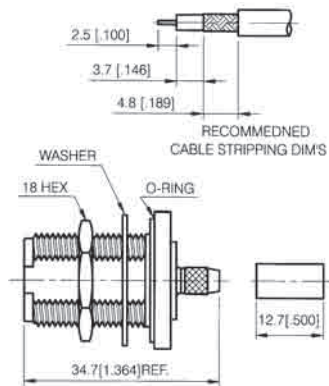
STRAIGHT CRIMP JACK

PART NUMBER 701250N **CABLE** RG-58, RG-141



BULKHEAD CRIMP JACK

PART NUMBER 701371-101N **CABLE** RG-316, RG-188

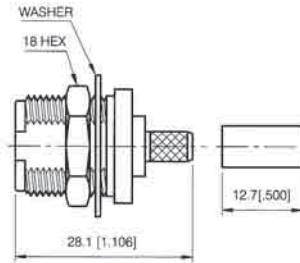


BULKHEAD CRIMP JACK

PART NUMBER 701251-101N **CABLE** RG-58, RG-141

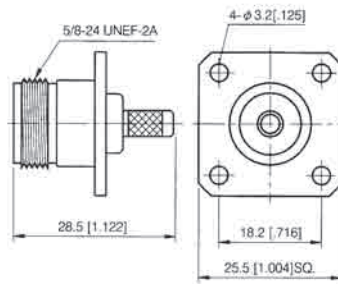
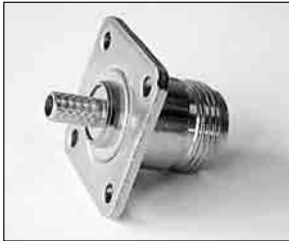
N Series

CRIMP ATTACHMENTS FOR FLEXIBLE CABLE



BULKHEAD CRIMP JACK

PART NUMBER	CABLE
701260N	RG-58, RG-141
701261N	RG-55, RG-142

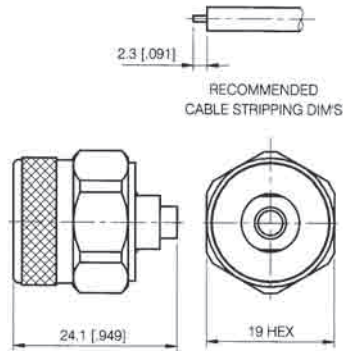


PANEL MOUNT CRIMP JACK

PART NUMBER	CABLE
701280N	RG-58, RG-141
701281N	RG-55, RG-142

N Series

DIRECT SOLDER FOR SEMI-RIGID CABLE



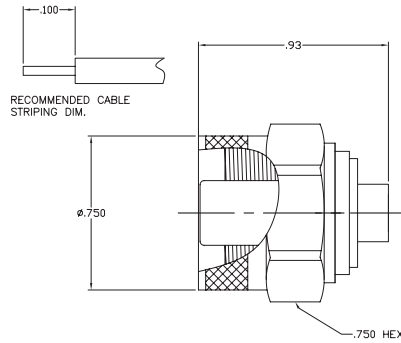
STRAIGHT CABLE PLUG

PART NUMBER	CABLE
705930-103N	.141 DIA. S/R
705931-103N	.086 DIA. S/R



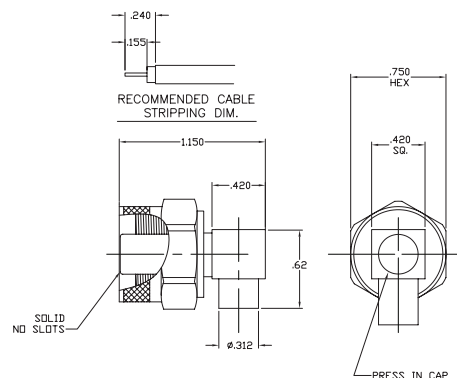
STRAIGHT CABLE PLUG

PART NUMBER	CABLE
705930-102N	.141 DIA. S/R
705931-101N	.086 DIA. S/R
705936-101N	.250 DIA. S/R



STRAIGHT CABLE PLUG

PART NUMBER	CABLE
701633-251N	.250 DIA S/R

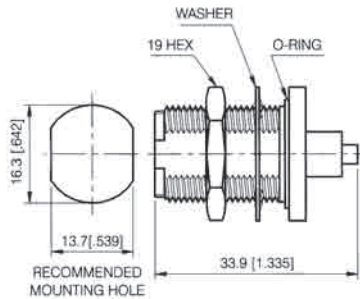


RIGHT ANGLE CABLE PLUG

PART NUMBER	CABLE
701971-251N	.250 DIA S/R

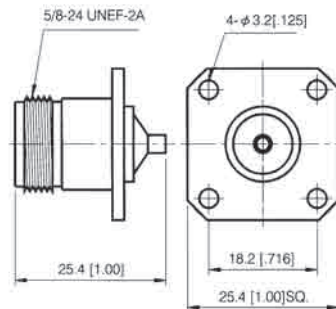
N Series

DIRECT SOLDER FOR SEMI-RIGID CABLE



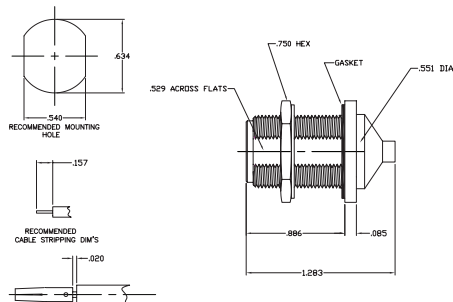
BULKHEAD CABLE JACK

PART NUMBER	CABLE
705934-102N	.141 DIA. S/R
705935-101N	.086 DIA. S/R



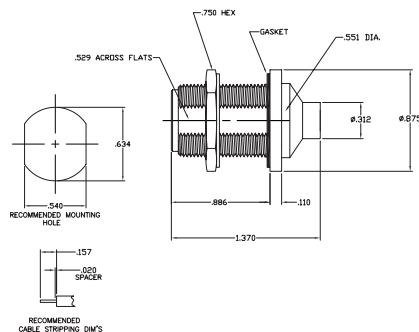
PANEL CABLE JACK

PART NUMBER	CABLE
701290N	.141 DIA. S/R
701291N	.086 DIA. S/R



BULKHEAD CABLE JACK

PART NUMBER	CABLE
708938-402N	.141 DIA S/R
708938-405N	.086 DIA S/R

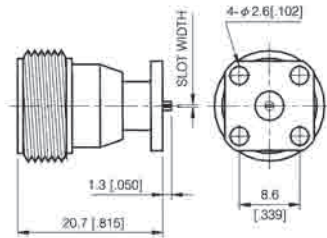


BULKHEAD CABLE JACK

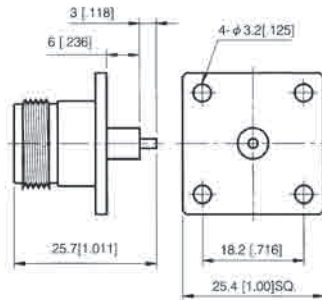
PART NUMBER	CABLE
708938-401N	.250 DIA S/R

N Series

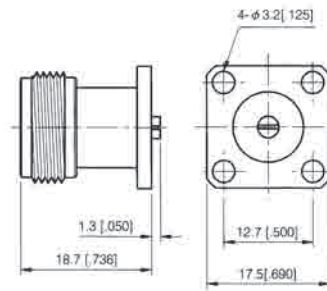
PANEL MOUNT RECEPTACLES



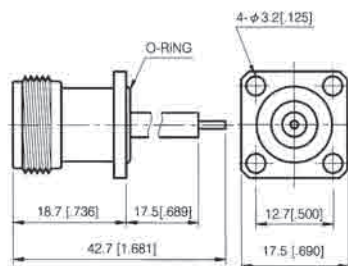
**PANEL MOUNT PLUG RECEPTACLE-
4 HOLE SQUARE FLANGE**
PART NUMBER 701292N



**PANEL MOUNT JACK RECEPTACLE-
4 HOLE SQUARE FLANGE**
PART NUMBER 701293N



**PANEL MOUNT JACK RECEPTACLE-
4 HOLE SQUARE FLANGE**
PART NUMBER 701294N



**PANEL MOUNT JACK RECEPTACLE-
4 HOLE SQUARE FLANGE**
PART NUMBER 701295N

PART NUMBER INDEX

<u>PART NUMBER</u>	<u>PAGE</u>
700209SMB	38
700213SMB	38
700214SMB	39
700216SMB	39
700218SMB	38
700400-001SMB	36
700405-001SMB	35
700410-001SMB	36
700425-001SMB	35
700426-001SMB	35
700465-001SMB	37
700466-001SMB	37
700467-001SMB	37
700472-001SMB	37
700473-001SMB	37
700474-001SMB	37
700481SMB	36
700482SMB	36
701039TNC	52
701040TNC	52
701041TNC	52
701045-250TNC	53
701049TNC	52
701050TNC	52
701051TNC	52
701058-001BNC	43
701064-001BNC	43
701065-001BNC	43
701069TNC	52
701070TNC	52
701071TNC	52
701097TNC	52
701098TNC	52
701099TNC	52
701104-001N	57
701200N	57
701201N	57
701250N	58
701251-101N	58
701260N	59
701261N	59
701280N	59
701281N	59
701290N	61
701291N	61
701292N	62
701293N	62
701294N	62
701295N	62
701371-101N	58

PART NUMBER INDEX

<u>PART NUMBER</u>	<u>PAGE</u>
701600-001BNC	45
701601BNC	46
701602BNC	46
701603BNC	46
701604BNC	46
701605BNC	47
701606BNC	47
701607BNC	47
701608BNC	48
701609BNC	48
701610BNC	48
701623-001BNC	43
701624-001BNC	43
701630-001BNC	45
701630-002BNC	45
701633-251N	60
701636-001BNC	43
701637-001BNC	43
701640-001BNC	43
701641-001BNC	43
701943-047MCX	14
701943-086MCX	14
701943-141MCX	14
701944-047MCX	14
701944-086MCX	14
701944-141MCX	14
701952-047MCX	14
701952-086MCX	14
701955-178MCX	13
701955-179DSMCX	13
701955-179MCX	13
701955-316DSMCX	13
701955-316MCX	13
701958-178MCX	13
701958-179DSMCX	13
701958-179MCX	13
701958-316DSMCX	13
701958-316MCX	13
701959-178MCX	13
701959-179DSMCX	13
701959-179MCX	13
701959-316DSMCX	13
701959-316MCX	13
701960-047MCX	15
701960-086MCX	15
701961-100MCX	16
701962-100MCX	16
701963-100MCX	16
701963-101MCX	16
701964-100MCX	16

PART NUMBER INDEX

<u>PART NUMBER</u>	<u>PAGE</u>
701965-100MCX	17
701971-251N	60
704000-178MMCX	6
704000-178RDMMCX	6
704000-316MMCX	6
704000-316RDMMCX	6
704001-178MMCX	6
704001-178RDMMCX	6
704001-316MMCX	6
704001-316RDMMCX	6
704002-178MMCX	6
704002-178RDMMCX	6
704002-316MMCX	6
704002-316RDMMCX	6
704003-047MMCX	7
704003-086MMCX	7
704004-047MMCX	7
704004-086MMCX	7
704005-047MMCX	7
704005-086MMCX	7
704006-100	8
704007-100	8
704008-100	9
704009-100	9
704010-100	9
705101-001SMA	24
705431-001SMA	27
705433-001SMA	27
705487-001SMA	27
705488-001SMA	27
705516-001SMA	24
705516-101	31
705516-901SMA	24
705517-001SMA	25
705517-301SMA	25
705518-001SMA	25
705521-101SMA	25
705522-101	29
705522-301	29
705522-302	29
705522-303	29
705522-304	29
705522-601	29
705522-601SMA	24
705522-909	29
705523-001SMA	24
705523-186	31
705523-901	24
705524-101SMA	25
705524-201SMA	25

PART NUMBER INDEX

<u>PART NUMBER</u>	<u>PAGE</u>
705525-001SMA	25
705526-001SMA	25
705527-101SMA	24
705527-102	31
705527-103	31
705528-101SMA	25
705529-101	31
705529-101SMA	25
705533-101	30
705533-101SMA	24
705533-201	30
705533-301	30
705533-901	30
705533-909	30
705540-102	30
705540-201	30
705543-101SMA	25
705543-201SMA	25
705545-001SMA	21
705546-001SMA	21
705546-002SMA	21
705548-001SMA	21
705551-001SMA	21
705555-001SMA	21
705556-001SMA	21
705556-002SMA	21
705558-001SMA	21
705559-001SMA	21
705561-001SMA	22
705561-002SMA	22
705564-001SMA	22
705566-001SMA	22
705566-002SMA	22
705566-101SMA	22
705566-102SMA	22
705569-001SMA	22
705569-101SMA	22
705576-001SMA	23
705576-002SMA	23
705579-001SMA	23
705592-001SMA	23
705593-001SMA	23
705618-001SMA	26
705624-001SMA	26
705626-001SMA	26
705717-001SMA	28
705717-002SMA	28
705930-102N	60
705930-103N	60
705931-101N	60

PART NUMBER INDEX

<u>PART NUMBER</u>	<u>PAGE</u>
705931-103N	60
705934-102N	61
705935-101N	61
705936-101N	60
705940-101TNC	53
705941-101TNC	53
705946-001TNC	53
705950-101BNC	44
708938-401N	61
708938-402N	61
708938-405N	61