

Coaxial Adapter Series TNC

Features:

- Low VSWR

Applications:

- Wireless
- Transmitter
- Laboratory Test
- Radar

Electrical

Frequency: DC~18GHz
 VSWR: 1.25 max.
 VSWR (Right Angle): 1.5 max.
 Impedance: 50Ω

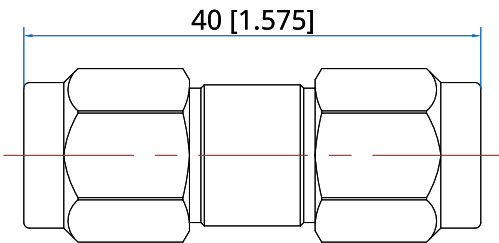
Environmental

Temperature: -50~+85 °C

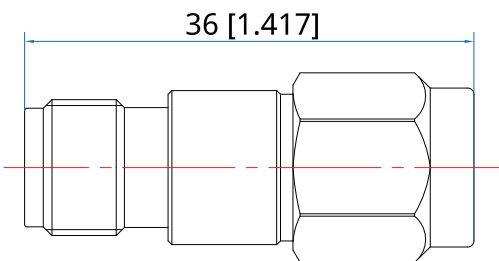
Mechanical

RF Connectors: TNC
 Mating Life Cycle: 500 cycles
 Outer Conductor: SUS303 Stainless Steel
 Dielectric: PTFE
 Inner Conductor: Gold Plated Beryllium Copper

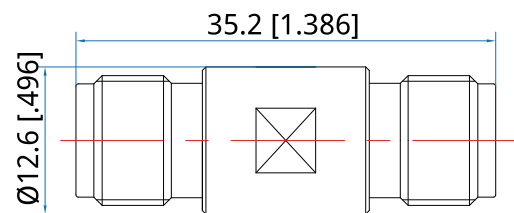
Outline Drawings



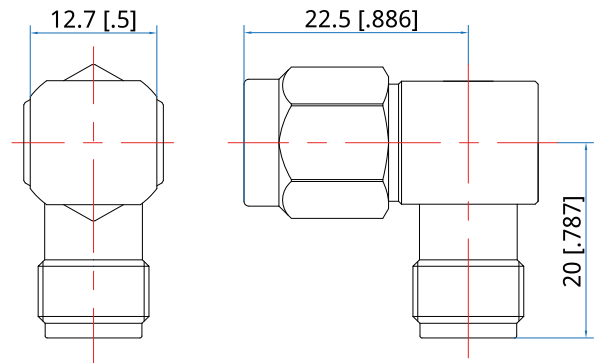
Outline A - TNC (m) to TNC (m)



Outline B - TNC (m) to TNC (f)



Outline C - TNC (f) to TNC (f)



Outline D - TNC (m) to TNC (f), Right Angle

Unit: mm [in]

Tolerance: ±0.2mm [±0.008in]

Interface:

RFC18-Tm-Tm: TNC(m)/TNC(m), Outline A

RFC18-Tm-Tf: TNC(m)/TNC(f), Outline B

RFC18-Tm-Tf: TNC(f)/TNC(f), Outline C

RFC18-Tm-Tf(RA): TNC(f)/TNC(f) right angle, Outline D