

RFC-ADT-40

COAXIAL ADAPTERS

Coaxial Adapter Series SSMP/2.92 mm

Features:

- Low VSWR

Applications:

- Wireless
- Transmitter
- Laboratory Test
- Radar

Electrical

Frequency: DC~40GHz
VSWR: 1.2 max.
Impedance: 50Ω

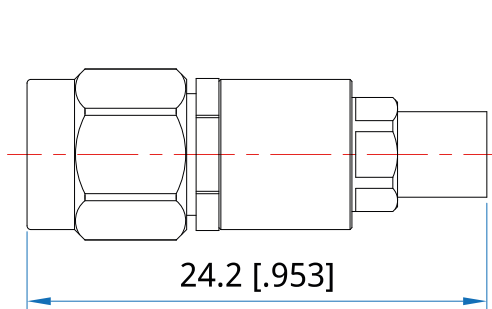
Environmental

Temperature: -60~+165 °C

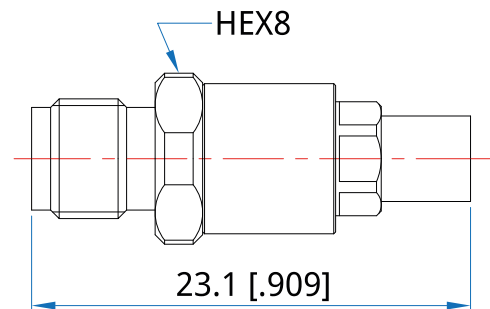
Mechanical

RF Connectors: SSMP, 2.92mm
Mating Life Cycle: 5000 cycles
Outer Conductor: SUS303 Stainless Steel
Dielectric: PEI
Inner Conductor: Gold Plated Beryllium Copper

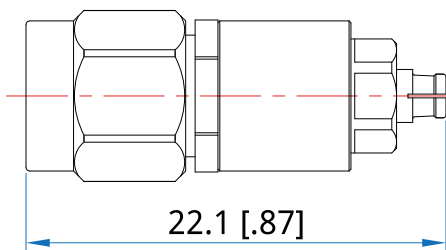
Outline Drawings



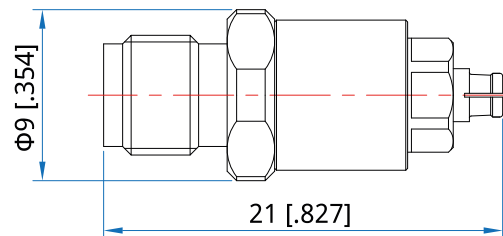
Outline A



Outline B



Outline C



Outline D

Unit: mm [in]

Tolerance: ±0.2mm [±0.008in]

Interface:

RFC40-SSm-29m: SSMP(m)/2.92mm(m), Outline A

RFC40-SSm-29f: SSMP(m)/2.92mm(f), Outline B

RFC40-SSf-29m: SSMP(f)/2.92mm(m), Outline C

RFC40-SSf-29f: SSMP(f)/2.92mm(f), Outline D