

Coaxial Adapter Series N/7/16(DIN)

Features:

- Low VSWR

Applications:

- Wireless
- Transmitter
- Laboratory Test
- Radar

Electrical

Frequency: DC~6GHz
 VSWR: 1.15 max.
 Impedance: 50Ω

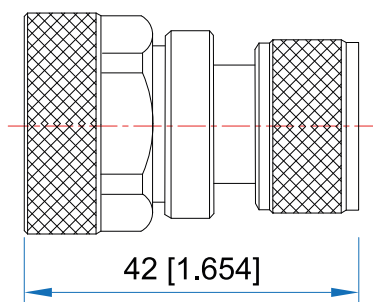
Environmental

Temperature: -60~+165 °C

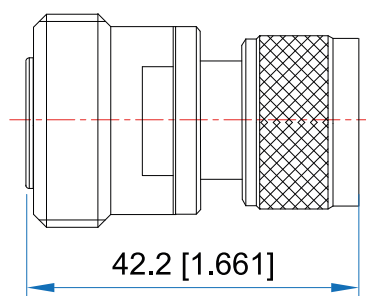
Mechanical

RF Connectors: N, 7/16(DIN)
 Mating Life Cycle: 500 cycles
 Outer Conductor: SUS303 Stainless Steel
 Dielectric: PEI
 Inner Conductor: Gold Plated Beryllium Copper

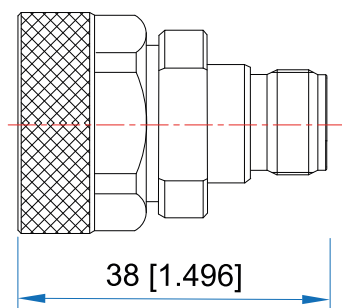
Outline Drawings



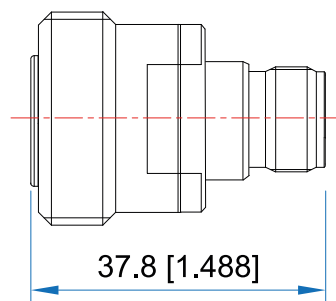
Outline A



Outline B



Outline C



Outline D

Unit: mm [in]

Tolerance: ±0.2mm [±0.008in]

Interface:

RFC6 Nm-DINm: N(m) to 7/16(DIN)(m), Outline A

RFC6 Nm-DINf: N(m) to 7/16(DIN)(f), Outline B

RFC6 Nf-DINm: N(f) to 7/16(DIN)(m), Outline C

RFC6 Nf-DINf: N(f) to 7/16(DIN)(f), Outline D